



P.I.T.[®]
Progressive Innovational Technology



PRODUCT PASSPORT
USER'S MANUAL



ПАСПОРТ ИЗДЕЛИЯ ИНСТРУКЦИЯ
ПОЛЬЗОВАТЕЛЯ

ELECTRIC SCISSORS

ЭЛЕКТРИЧЕСКИЕ НОЖНИЦЫ



EAC

PDJ250-C PRO

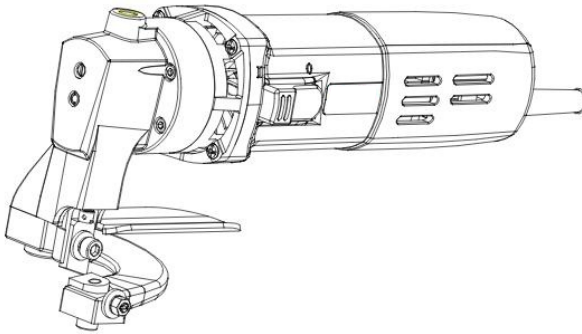
PROGRESSIVE INNOVATIONAL TECHNOLOGY

ПРОГРЕССИВНЫЕ ИННОВАЦИОННЫЕ ТЕХНОЛОГИИ



GENERAL SAFETY PRECAUTIONS

- Always check that the mains voltage corresponds to the voltage indicated on the tool nameplate.
 - This product has double insulation. Therefore, grounding is not required.
 - Regularly check the power cord and plug for damage. Refer to a qualified electrician for replacement if necessary.
 - Immediately discard the old power cord or plug after replacement.
 - It is not recommended to use excessively long extension cords.
 - If you use an extension cord on the coil, it must be fully unwound.
 - It is strictly forbidden to direct the electric spray gun nozzle at people or animals. Avoid spraying paint on the skin.
 - It is allowed to use paints and solvents at which temperature of ignition is not lower than 32°C.
 - Work only in well ventilated areas.
 - It is not recommended to operate the spray gun without the bell.
 - It is forbidden to work with the spray gun in areas where there is a possibility of fire or explosion.
 - It is recommended that you carefully study the operating room for signs of danger before you commence work.
 - Sprayed paints can be life threatening. Be sure to carefully examine the markings on the paint can.
 - Wear safety goggles and a paint mask or respirator when working.
 - It is recommended to work in protective headphones.
 - Keep the electric spray gun, paint tank and nozzle clean.
 - Do not spray paint near fire sources.
 - It is strictly forbidden to smoke while working.
 - Carefully read the recommendations of the paint manufacturer for its dilution.
 - Before filling the paint tank or clean the nozzle, disconnect the appliance from the power supply.
- Unplug the electric spray gun immediately if:**
- You have detected a failure or malfunction in the power cable.
 - In case of breakage of the on/off control.
 - In case of smoke or smell of burnt insulation.



Technical Specifications of the Product

Model	PDJ250-C PRO
Voltage	220V
Frequency	50Hz
Power	500W
Rotation speed	2,600/min
Maximum cutting thickness (390N/mm ²)	2.5mm

Note. As the result of our continuous investigations and developments, the above-listed technical specifications can be changed without prior notice.

Power Tool Safety Rules

! WARNING

Read and understand all instructions. Failure to follow all instructions listed below, may result in electric shock, fire and/or serious personal injury.

SAVE THESE INSTRUCTIONS

Work Area

Keep your work area clean and well lit. Cluttered benches and dark areas invite accidents.

Do not operate power tools in explosive atmospheres, such as in the presence of flammable liquids, gases, or dust. Power tools create sparks which may ignite the dust or fumes.

Keep by-standers, children, and visitors away while operating a power tool. Distractions can cause you to lose control.

Electrical Safety

Before plugging in the tool, be certain the outlet voltage supplied is within the voltage marked on the nameplate. Do not use "AC only" rated tools with a DC power supply.

Avoid body contact with grounded surfaces such as pipes, radiators, ranges and refrigerators. There is an increased risk of electric shock if your body is grounded. If

operating the power tool in damp locations is unavoidable, a Ground Fault Circuit Interrupter must be used to supply the power to your tool. Electrician's rubber gloves and footwear will further enhance your personal safety.

Don't expose power tools to rain or wet conditions. Water entering a power tool will increase the risk of electric shock.

Do not abuse the cord. Never use the cord to carry the tools or pull the plug from an outlet. Keep cord away from heat, oil, sharp edges or moving parts. Replace damaged cords immediately. Damaged cords increase the risk of electric shock.

When operating a power tool outside, use an outdoor extension cord marked "W-A" or "W." These cords are rated for outdoor use and reduce the risk of electric shock. Refer to "Recommended sizes of Extension Cords" in the Accessory section of this manual.

Personal Safety

Stay alert, watch what you are doing and use common sense when operating a power tool. Do not use tool while tired or under the influence of drugs, alcohol, or medication. A moment of inattention while operating power tools may result in serious personal injury.

Dress properly. Do not wear loose clothing or jewelry. Contain long hair. Keep your hair, clothing, and gloves away from moving parts. Loose clothes, jewelry, or long hair can be caught in moving parts. Keep handles dry, clean and free from oil and grease.

Avoid accidental starting. Be sure switch is "OFF" before plugging in. Carrying tools with your finger on the switch or plugging in tools that have the switch "ON" invites accidents.

Remove adjusting keys or wrenches before turning the tool "ON". A wrench or a key that is left attached to a rotating part of the tool may result in personal injury.

Do not overreach. Keep proper footing and balance at all times. Proper footing and balance enables better control of the tool in unexpected situations.

Use safety equipment. Always wear eye protection. Dust mask, non-skid safety shoes, hard hat, or hearing protection must be used for appropriate conditions.

Tool Use and Care

Use clamps or other practical way to secure and support the workpiece to a stable platform. Holding the work by

hand or against your body is unstable and may lead to loss of control.

Do not force tool. Use the correct tool for your application. The correct tool will do the job better and safer at the rate for which it is designed.

Do not use tool if switch does not turn it "ON" or "OFF". Any tool that cannot be controlled with the switch is dangerous and must be repaired.

Disconnect the plug from the power source before making any adjustments, changing accessories, or storing the tool. Such preventive safety measures reduce the risk of starting the tool accidentally.

Store idle tools out of reach of children and other untrained persons. Tools are dangerous in the hands of untrained users.

Maintain tools with care. Keep cutting tools sharp and clean. Properly maintained tools, with sharp cutting edges are less likely to bind and are easier to control. Any alteration or modification is a misuse and may result in a dangerous condition.

Check for misalignment or binding of moving parts, breakage of parts, and any other condition that may affect the operation. If damaged, have the tool serviced before using. Many accidents are caused by poorly maintained tools. Develop a periodic maintenance schedule for your tool.

Use only accessories that are recommended by the manufacturer for your model. Accessories that may be suitable for one tool, may become hazardous when used on another tool.

User's Manual

Before beginning of operation, it is necessary to perform carefully inspection of the device in order to be sure that it is completely assembled, as well as that this device has no damages and failures.

You must be sure that the electric power supply, which is stated on the nameplate, complies with the mains power-supply voltage.

Thickness of the maximum cutting of the sheet metal, which is ensured by the device which is stated on the nameplate, is equal to 2.5mm, and it means that tensile strength of the metal is equal to 390N/mm. If breaking strength rupture limit of the sheet metal exceeds the tensile strength, proper values of the maximum permissible cutting thickness are shown in the table below:

Tensile strength of the metal	390N/mm ²	600N/mm ²	800N/mm ²
Maximum permissible cutting thickness	2.5mm	2.0mm	1.6mm

Depending on the difference between the thickness of cutting of a metal material and tensile strength of this material, it is necessary to adjust the blade clearance in accordance with recommendations of the present Manual.

Adjustment of the Blade Clearance

Electric scissors are an ideal tool for cutting any kinds of the sheet metal. Those materials, which are unsuitable for cutting, can cause accidental damages.

In the course of installation of blade, you must ensure that direction of the cutting edge is correct. See Figure 1.

Before beginning of operation, it is necessary to adjust clearance between the cutting plates in accordance with the properties of the cutting material. Thus, it is possible to improve efficiency of electric scissors. We recommend the following values of the blade clearance:

If thickness of the sheet of material < 0.5mm, it is possible to work without any clearance or with a micro clearance.

If thickness of the sheet of material ≥ 0.5 mm, clearance must exceed thickness of the material sheet by 0.1-0.2 times. Any material with high strength and big thickness is of the greater importance, and vice versa: material with the lesser thickness is of the lesser importance.

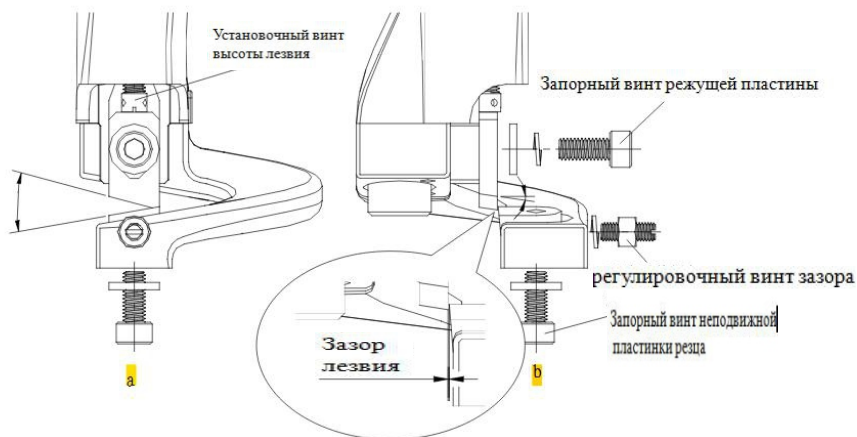


Figure 1.

[translations of inscriptions within the above Figure:

Установочный винт высоты лезвия – Positioning screw of the blade height;

Запорный винт режущей пластины – Locking screw of the cutting plate;

регулирующий винт зазора – clearance adjusting screw;

Зазор лезвия – Blade clearance;

Запорный винт неподвижной пластинки реза – Locking screw of the cutter immovable plate.]

In the course of adjusting, it is necessary to loosen both locking screw and positioning screw of the cutting plate. Turn this device until the moment, when the blade achieves the highest point (that is, when the end of the movable blade and end of the fixed blade would have an overlapping degree from 0.5 to 1.0 mm) and then tighten the locking screw. In addition, it is necessary to ensure close contact of the positioning screws and the blade in order to prevent displacement of the blade in the course of work. See Figure 1 (a).

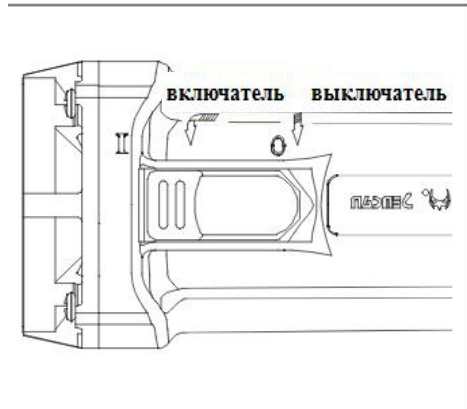
Loosen the clearance adjusting screw and locking screw of the immovable blade, adjust a value of clearance between movable and immovable blades in accordance with the recommended clearance and tighten these screws. See Figure 1 (b).

Make-and-Break Switch

✂ Before connection of the electric plug to the electric power supply you must be sure that turn-on/ shut-down pushbutton is in the OFF position. In order to turn on this device, move the turn-on pushbutton forward and press it, the blade will work in the continuous mode.

✂ These electric scissors must be turned on and run at an idle speed. Cutting operations are only possible, if the scissors are in the stable operating mode.

If you will move this pushbutton in the downward direction, this spring-actuated switch will operate quickly and shut down this tool.



[translations of inscriptions within the above Figure:

включатель – turn-on switch;

выключатель – shut-down switch.]

Safety and Efficient Operation

In the course of cutting, use both hands in order to hold the tool. Hold the tool precisely, in order to ensure that the cutting plate will be perpendicular to the surface of cutting. The cutting edge must be in line with this section, which must be cut, or it is necessary to perform smooth cutting in accordance with the marked line.

✂ If the blade will be inclined to the surface of the sheet of material, such a situation may cause cramping of the scissors or it may result in the formation of fins in the course of cutting. In severe cases, such a situation may cause breakdown of the blade.

✂ When you will hold the tool, ensure that ventilation openings in the tool body will not be blocked.

Care and Maintenance

✳ Before performance of inspections and care and maintenance, it is necessary to shut down the electric power supply of the tool and take out the electric plug connector from receptacle.

Ensure regular cleaning of the tool surfaces from dust, contaminations and other undesirable deposits. Keep the tool clean.

It is not allowed to use gasoline, thinning agents, carbon tetrachloride, ethyl alcohol and other solvents in order to clean (wipe) plastic details. Otherwise, it may cause cracks and damage of the plastic details. In order to wipe any plastic details it is possible to use a soft tissue, which is moistened with soapy water.

Ensure regular inspections of screws of all connections: these screws must not be loosened. If you will find loosened screws, they must be tightened immediately. Otherwise, this situation may result in an accident quickly.

Ensure regular inspections of the power supply cord: there must not be damages of the insulation blanket.

Filling of the Lubricating Oil and Protection against Corrosion

Lubricating oil inside the reduction gearbox case can become unsuitable for use. It is necessary to refill the oil.

In the course of maintenance of the electric scissors, it is necessary to refill the lubricating oil (Figure 3).

Upon completion of all operations, open section of the movable holder of the cutter and the cutter plate must be lubricated with sufficient quantity of oil.

Replacement of the Carbon Brush

Upon completion of a certain period of work, it is necessary to check carbon brushes for wear. If a carbon brush is worn and it is not possible to use it, such brush must be replaced in a timely manner.

✳ In the course of replacement of the carbon brushes, it is necessary to perform simultaneous replacement of two brushes. Utilization of those carbon brushes, which are stated on the nameplate, will ensure increase of efficiency.

In the course of replacement, it is necessary to unscrew the mounting screw of the back cover with the help of the relevant screwdriver, remove the back cover, and then remove the worn carbon brush and install new carbon brush, check its sliding motion in the groove of the carbon brush holder and reinstall the back cover. See Figure 4.

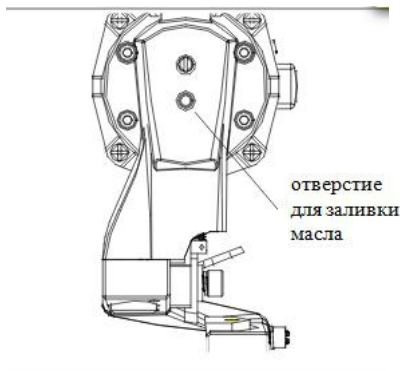


Figure 4.

[translations of inscriptions within the above Figure:
отверстие для заливки масла – opening for filling the lubricating oil.]

Grinding of Blade

If the blade of the cutter plate has become dull or broken, it is necessary to perform its grinding or replacement

in a timely manner. Please see angular degree of blade grinding in the Figure 5.

Maintenance

If your tool will be damaged, please send it to your supplier or to the relevant repair and service station for proper repair and making decision concerning utilization of original spare parts. Inside dismounting or replacement of other details of the tool are not allowed in any case.

[translations of inscriptions within the above Figure:

угольная щетка – carbon brush;
Задняя крышка – Back cover.]

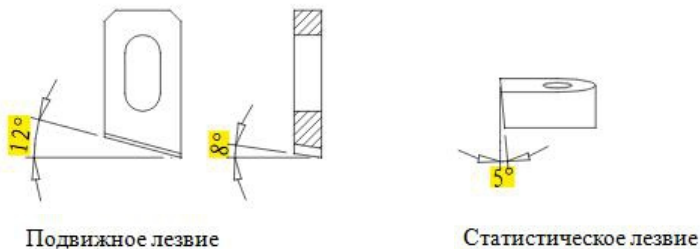


Attachment

Carbon brush – 2 pieces.
Allen wrench 5

Figure 5.

[translations of inscriptions within the above Figure:
Подвижное лезвие – Movable blade;
Статическое лезвие - Static blade.]



TERMS OF WARRANTY SERVICE

1. This Warranty Certificate is the only document that confirms your right to free warranty service. Without presenting this certificate, no claims are accepted. In case of loss or damage, the warranty certificate is not restored.

2. The warranty period for the power tool is 12 months from the date of sale, during the warranty period the service department eliminates manufacturing defects and replaces parts that have failed due to the fault of the manufacturer free of charge. In the warranty repair, an equivalent operable product is not provided. Replaceable parts become property of service providers.

P.I.T. is not liable for any damage that may be caused by operation of the electric machine.

3. Only clean tool accompanied with the following duly executed documents: this Warranty Certificate, Warranty Card, with all fields filled out, bearing the stamp of the trade organization and the signature of the buyer, shall be accepted for warranty repair.

4. Warranty repair is not performed in the following cases:

- in the absence of a Warranty Certificate and a Warranty Card or their incorrect execution;
- with failure of both a rotor and a stator of the electric engine, charring or melting of primary winding of the welding machine transformer, charging or starting-charging device, with internal parts melting, burn down of electronic circuit boards;
- if a Warranty Certificate or a Warranty Card does not correspond to this electric machine or to the form established by the supplier;
- upon expiration of the warranty period;
- at attempts of opening or repair of the electric machine outside the warranty workshop; making constructive changes and lubrication of the tool during the warranty period, as evidenced, for example, by the creases on the spline parts of the fasteners of non-rotational parts.
- when using electric tools for production or other purposes connected with making a profit, as well as in case of malfunctions related to instability of the power network parameters exceeding the norms established by GOST;
- in the events of improper operation (use the electric machine for other than intended purposes, attachments to the electric machine of attachments, accessories, etc. not provided by the manufacturer);
- with mechanical damage to the case, power cord and in case of damages caused by aggressive agents and high and low temperatures, ingress of foreign objects in the ventilation grids of the electric machine, as well as in case of damage resulting from improper storage (corrosion of metal parts);
- natural wear and tear on the parts of the electric machine, as a result of long-term operation (determined on the basis of the signs of full or partial depletion of the specified mean life, great contamination, presence of rust outside and inside the electric machine, waste lubricant in the gearbox);
- use of the tool the purposes for other than specified in the operating instructions.
- mechanical damages to the tool;
- in the event of damages due to non-observance of the operating conditions specified in the instruction (see chapter "Safety Precautions" of the Manual).
- damage to the product due to non-observance of the rules of storage and transportation.

Preventive maintenance of electric machines (cleaning, washing, and lubrication, replacement of anthers, piston and sealing rings) during the warranty period is a paid service.

The service life of the product is determined by the manufacturer and is 2 years from the date of manufacture,

The owner is notified of any possible violations of the above terms of warranty service upon completion of diagnostics in the service center.

The owner of the tool entrusts the diagnostic procedure to be conducted in the service center in his absence.

Do not operate the electric machine when there are signs of excessive heat, sparking, or noise in the gearbox. To determine the cause of the malfunction, the buyer should contact the warranty service center.

Malfunctions caused by late replacement of carbon brushes of the engine are eliminated at the expense of the buyer.

5. The warranty does not cover:

- replacement of parts (accessories and furniture), for example: accumulators, disks, knives, drills, bores, cartridges, chains, sprockets, collet clamps, buses, tensioning elements and fasteners, trim tabs, pads of grinders and tape machines, etc.
- quick-wear parts, for example: carbon brushes, drive belts, glands, protective covers, guide rollers, guides/rails, rubber seals, bearings, timing belts and wheels, shafts, brake band, ratchet wheels and starter cables, piston rings, etc. Replacing them during the warranty period is a paid service.
- power cords, in case of insulation damage, power cords are subject to mandatory replacement without the consent of the owner (paid service),
- casing of machine.

P.I.T. WARRANTY CERTIFICATE

Product Name _____

Product Number □□□□□□□□□□

Place of Seal

Serial Number □□□□□□□□□□□□

Sale Date _____

Trade Organization Name _____

Dear customer!

Thank you for purchasing the P.I.T tool, and we hope that you will be satisfied with your choice. In the process of manufacturing the P.I.T tools pass multilevel quality control, if nevertheless your product will need maintenance, please contact the authorized P.I.T service centers.

Attention!

When buying, ask a seller to check the completeness and operability of the tool, to fill out the Warranty Certificate, the Warranty Card (the boxes shall be filled out by a seller) and to affix the seal of the trade organization in the Guarantee Certificate and the Warranty Card.

Warranty

By this Warranty Certificate, P.I.T. company guarantees the absence of defects of the production nature.

In the event any of the above defects are detected during the warranty period, the specialized P.I.T. service centers shall repair the product and replace the defective spare parts free of charge.

The warranty period for P.I.T. electric machines is 12 months from the date of sale.

“The warranty maintenance terms acknowledged and accepted. The operability and completeness of the product are checked in my presence. No claims on quality and appearance.”

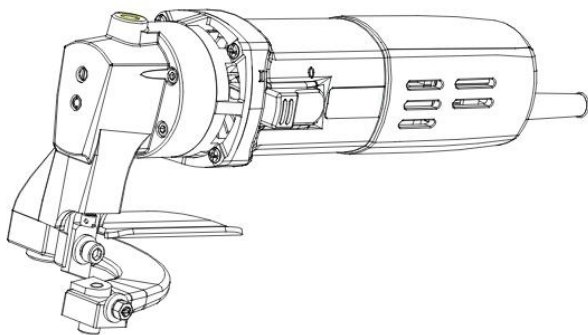
Buyer’s Signature _____ Surname (legibly) _____

Phone _____



ОБЩИЕ МЕРЫ БЕЗОПАСНОСТИ

- Всегда проверяйте соответствие напряжения сети питания напряжению, указанному на шильдике инструмента.
 - Данное изделие имеет двойную изоляцию. Поэтому заземление не требуется.
 - Регулярно проверяйте шнур питания и вилку на предмет повреждений. При необходимости заменить обратитесь к квалифицированному электрику.
 - Немедленно выбрасывайте старый шнур питания или вилку после замены.
 - Не рекомендуется использовать чрезмерно длинные удлинители шнура питания.
 - Если Вы используете удлинитель на катушке, то он должен быть полностью размотан.
 - Строжайше запрещается направлять сопло электрического распылителя на людей или животных. Избегайте распыления краски на кожу.
 - Разрешается использовать краски и растворители, у которых температура возгорания не ниже 32°C.
 - Работайте только в хорошо вентилируемых помещениях.
 - Не рекомендуется эксплуатировать распылитель без раструба.
 - Запрещается работать с распылителем в помещениях, где есть вероятность возгорания или взрыва.
 - Рекомендуется внимательно изучить рабочее помещение на предмет возникновения опасности перед тем, как приступить к работе.
 - Распыляемые краски могут быть опасны для жизни. Обязательно внимательно изучите маркировку на банке с краской.
 - Во время работы обязательно наденьте защитные очки, а также малярную маску или респиратор.
 - Рекомендуется работать в защитных наушниках.
 - Следите за чистотой электрического распылителя, резервуара для краски и сопла.
 - Запрещается распылять краску рядом с источниками огня.
 - Строжайше запрещено курить в процессе работы.
 - Внимательно прочтите рекомендации производителя краски по ее разбавлению.
 - Перед тем, как заполнять резервуар для краски или чистить сопло, отключите изделие от сети питания.
- Немедленно отключите электрический распылитель от сети, если:**
- Вы обнаружили поломки или неисправности в кабеле электропитания.
 - При поломке выключателя.
 - При появлении дыма или запаха горелой изоляции.


Технические характеристики изделия

Модель	PDJ250-C PRO
Напряжение	220V
Частота	50Hz
Мощность	500W
Частота вращения	2600/min
Максимальная толщина разреза (390N/mm ²)	2.5 mm

Примечание. По причине непрерывных исследований и разработок, вышеуказанные технические характеристики могут быть изменены без предварительного уведомления.

**Правила безопасности инструмента с электрическим приводом
(электроинструмента)**
! ПРЕДУПРЕЖДЕНИЕ

Ознакомьтесь со всеми инструкциями. Несоблюдение всех приведенных ниже инструкций может привести к поражению электрическим током, пожару и/или серьезной травме.

СОХРАНИТЕ ЭТИ ИНСТРУКЦИИ
Рабочая зона

Рабочая зона должна быть чистой и хорошо освещенной. Загроможденные установки и темные области приводят к несчастным случаям.

Не используйте электроинструменты во взрывоопасных средах, например, в присутствии легковоспламеняющихся жидкостей, газов или пыли. Электроинструменты создают искры, которые могут воспламенить пыль или вызывать дым.

Наблюдатели, дети и посетители должны находиться вдали от работающего электроинструмента. Отвлекающие факторы могут привести к потере контроля.

Электрическая безопасность

Перед подключением инструмента убедитесь, что напряжение на выходе

находится в пределах напряжения, указанного на паспортной табличке. Не используйте номинальные инструменты «только с переменным током» с источником питания постоянного тока.

Избегайте контакта тела с заземленными поверхностями, такими как трубы, радиаторы, батареи и холодильники. Существует повышенный риск поражения электрическим током, если ваше тело заземлено. Если работа электроинструмента во влажных помещениях неизбежна, следует использовать прерыватели тока при электрическом замыкании на землю для подачи питания на Ваш инструмент. Резиновые перчатки и обувь для выполнения электрических работ еще больше повысят Вашу личную безопасность.

Не подвергайте электроинструмент воздействию дождя или влажности. Вода, попадающая в электроинструмент, повысит риск поражения электрическим током.

Избегайте неправильно применения шнура. Никогда не используйте шнур для переноски инструментов. Не используйте шнур, чтобы вытащить вилку из розетки. Шнур должен находиться вдали от тепла, масла, острых краев или движущихся частей. Немедленно замените поврежденные шнуры. Поврежденные шнуры повышают риск поражения электрическим током.

При работе с электроинструментом снаружи используйте наружный шнур-удлинитель с маркировкой «W-A» или «W.». Эти шнуры рассчитаны на использование на открытом воздухе и уменьшают риск поражения электрическим током. См. «Рекомендуемые размеры шнуров-удлинителей» в разделе «Принадлежности» данного руководства.

Личная безопасность

Будьте внимательны, следите за тем, что Вы делаете, и руководствуйтесь здравым смыслом при работе с электроинструментом. Не используйте инструмент, если Вы устали или находитесь под воздействием наркотиков, алкоголя или медикаментов. Невнимательность при работе с электроинструментом может привести к серьезной травме.

Одевайтесь должным образом. Не надевайте свободную одежду или украшения. Завяжите длинные волосы. Волосы, одежда и перчатки должны находиться вдали от движущихся частей. Свободная одежда, украшения или длинные волосы могут попасть в движущиеся части. Рукавчики должны быть сухими, чистыми и не содержать масла и жира.

Избегайте случайного запуска. Перед подключением убедитесь, что переключатель выключен («OFF»). Перенос инструментов с помощью пальца на выключателе или подключение инструментов при положении переключателя «ВКЛ» («ON»), вызывает несчастные случаи.

Уберите раздвижные гаечные ключи или накидные гаечные ключи, прежде чем включить инструмент. Раздвижной или гаечный ключ, который остается прикрепленным к вращающейся части инструмента, может привести к травме.

Не переутомляйтесь. Поддерживайте надлежащую опору и равновесие в любое время. Надлежащая опора и равновесие позволяют лучше контролировать инструмент в неожиданных ситуациях.

Используйте оборудование для обеспечения безопасности. Всегда надевайте защитные очки. Для соответствующих условий необходимо использовать пылезащитную маску, нескользящую защитную обувь, защитную маску или средства защиты органов слуха.

Использование инструмента и уход

Используйте зажимы или другой практический способ крепления и поддержки заготовки на устойчивой платформе. Удержание заготовки руками или против Вашего тела является неустойчивым и может привести к потере контроля.

Не давите на инструмент. Используйте правильный инструмент для своего применения. Правильный инструмент сделает работу лучше и безопаснее при скорости, для которой он разработан.

Не используйте электроинструмент, если выключатель не включается и выключается. Любой инструмент, который не может управляться переключателем, опасен, и его необходимо отремонтировать.

Перед выполнением любых регулировок, сменой принадлежностей или

хранением инструмента отсоедините вилку от источника питания. Такие профилактические меры безопасности уменьшают риск случайного запуска инструмента.

Храните неиспользуемые инструменты в месте, недоступном для детей и других необученных лиц. Инструменты опасны в руках необученных пользователей.

Сохраняйте инструменты с осторожностью. Сохраняйте режущие инструменты острыми и чистыми. Правильное хранение инструментов с острыми режущими кромками позволяет их легче контролировать и предотвращает защемление. Любое изменение или модификация является неправильным использованием и может привести к опасности.

Проверьте на разрегулирование или защемление движущихся частей, поломку деталей и любые другие условия, которые могут повлиять на работу. Если имеется какой-либо дефект, инструмент необходимо починить перед использованием. Многие несчастные случаи происходят из-за плохого обслуживания инструментов. Разработайте периодический график обслуживания Вашего инструмента.

Используйте только те принадлежности, которые рекомендованы производителем для Вашей модели. Принадлежности, которые могут быть пригодны для одного инструмента, могут стать опасными при использовании на другом инструменте.

Обслуживание

Обслуживание инструмента должно выполняться только квалифицированным персоналом. Обслуживание или техническое обслуживание, выполняемое неквалифицированным персоналом, могут привести к травме. Например, внутренние провода могут быть неправильно подсоединены или пережаты, пружины возврата защитного ограждения могут быть неправильно установлены.

При обслуживании инструмента используйте только идентичные запасные части. Следуйте инструкциям в разделе «Техническое обслуживание» данного руководства. Использование неправильных деталей или несоблюдение инструкций по техобслуживанию может привести к поражению электрическим током или травме. Некоторые чистящие средства, такие как бензин, четыреххлористый углерод, аммиак и т. д. могут повредить пластмассовые детали.

Руководство по эксплуатации

Перед эксплуатацией необходимо тщательно проверить устройство для того, чтобы убедиться, что оно полностью собрано, не имеет повреждений и нарушений.

Убедитесь, что источник питания на паспортной табличке соответствует питанию сети.

Толщина максимального разреза листового металла, устройства обозначенного на паспортной табличке, составляет 2,5 мм, что означает его прочность на растяжение, которое составляет 390 N/mm. Когда предел прочности на разрыв листового металла больше, чем данная прочность, соответствующая максимально допустимая толщина разреза указана в нижеследующей таблице:

Прочность на растяжение металла	390 N/mm ²	600 N/mm ²	800 N/mm ²
Максимальная допустимая толщина разреза	2.5 mm	2.0 mm	1.6 mm

В зависимости от различия толщины разрезаметаллического материала и прочности на растяжение, зазор лезвия регулируется в соответствии с рекомендациями в этой инструкции.

Регулировка зазора реза

Электрические ножницы идеально подходят для резки всех видов листового металла. Неподходящие для резки материалы могут привести к случайным повреждениям. При установке лезвия, направление режущего края должно быть правильным. Смотрите Рисунок 1.

Перед эксплуатацией, зазор между режущими пластинами должен быть отрегулирован в соответствии с разрезаемым материалом. Таким образом, эффективность электрических ножниц может быть улучшена. Рекомендуемый зазор лезвия нижеприведенный:

Если толщина листового материала < 0,5 mm, допускается отсутствие зазора либо микрозазор.

Если толщина листового материала $\geq 0,5$ mm, зазор составляет 0,1-0,2 раза больше толщины листового материала. Материал с высокой прочностью и большой толщиной имеет большее значение, и наоборот при меньшей – меньше.

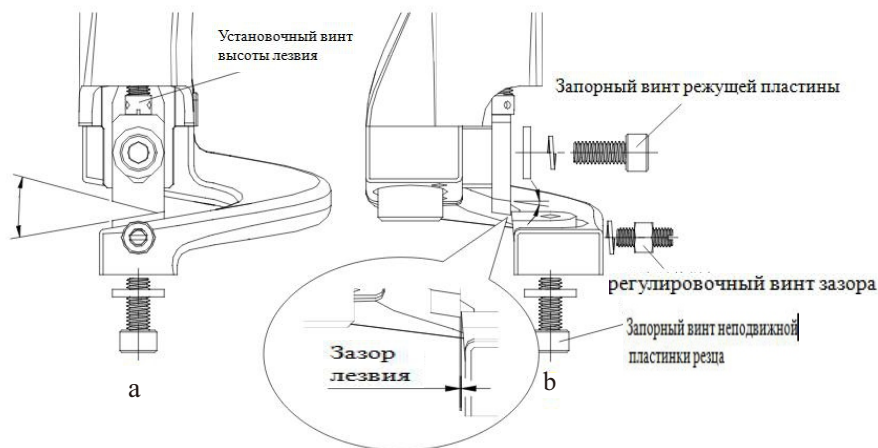


Рисунок 1.

Во время регулировки, необходимо ослабить запорный и установочный винт режущей пластины. Вращайте (поверните) устройство до того момента, пока лезвие не достигнет самой высокой точки, чтобы кончик лезвия подвижного и фиксированный лезвия имели степень перекрытия от 0,5 до 1,0 мм и затяните запорный винт. В то же время плотно прижмите установочные винты к лезвию, чтобы предотвратить смещение лезвия во время работы. Смотрите Рисунок 1 (а).

Ослабьте регулировочный винт зазора и запорный винт фиксированного лезвия, отрегулируйте значение зазора подвижных и неподвижных лезвий в соответствии с рекомендуемым зазором и затяните винты. Смотрите Рисунок 1 (б).

Включатель устройства

※Перед подключением электрической вилки к источнику питания, необходимо убедиться, что кнопка включения/выключения находится в выключенном состоянии. Для того чтобы включить устройство, переключите кнопку включателя вперёд и нажмите, лезвие будет работать непрерывно.

※Электрические ножницы должны быть включены и запущены вхолостую, только после их стабильной работы можно приступать к резке.

Когда кнопочный включатель будет переключен вниз, он быстро отпружинит и переведет инструмент в выключенный режим.

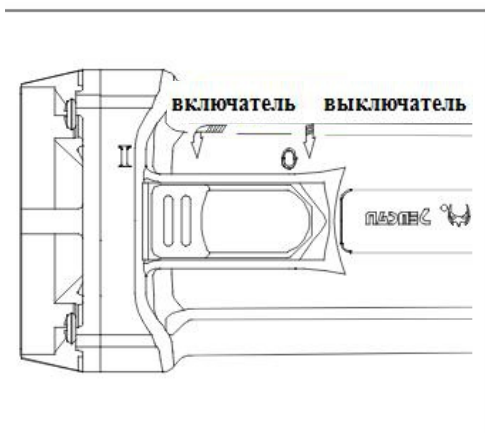


Рисунок 2. Работа переключателя

Безопасность и эффективная эксплуатация

Во время резки используйте обе руки для удержания инструмента. Держите инструмент ровно, чтобы режущая сторона была перпендикулярна поверхности разреза. Режущая кромка должна быть выровнена с частью, которую нужно отрезать либо необходимо плавно проводить разрез в соответствии с размеченной линией.

※Если лезвие наклонено к поверхности листового материала, это может вызвать заклинивание ножиц или может привести к образованию заусенцев при разрезе. В тяжелых случаях может привести к поломке лезвия.

※Удерживая инструмент, обратите внимание на то, чтобы не заблокировать вентиляционные отверстия корпуса,

Уход и обслуживание

※Перед проведением проверки обслуживания необходимо отключить источник питания инструмента и вытащить электрическую вилку.

Регулярно очищайте поверхность инструмента от пыли, загрязнений и других нежелательных отложений. Держите инструмент в чистоте.

Для чистки (протираания) пластиковых деталей не допускается использование бензина, разжижающего средства, четыреххлористого углерода, спирта и других растворителей. В противном случае это может привести к трещинам и повреждению пластика. Для того, чтоб протереть изделие из пластика можно использовать мягкую ткань, смоченную мыльной водой.

Регулярно проводите проверку винтов в местах каждого соединения, они не должны быть свободными. При обнаружении расшатывания, необходимо своевременно затянуть. В противном случае это легко может привести к аварии.

Регулярно осматривайте шнур питания, изоляционный слой должен быть без повреждений.

Заправка маслом и предохранение от коррозии.

Смазочное масло в коробке редуктора может стать негодным. Необходима его дозаправка.

При проведении обслуживания электрических ножниц, необходимо обновить смазочное масло (Рисунок 3).

Открытая часть подвижной державки реза и пластинка реза после каждого использования должны смазываться достаточным количеством масла.

Замена угольной щетки

После периода использования необходимо проверить износ угольных щеток. Когда угольная щетка изношена и не может использоваться, необходима ее своевременная замена.

※При замене угольных щеток необходимо провести одновременную замену двух щеток. Использование угольных щеток, указанных продукцией, приведет к повышению эффективности.

При замене используйте отвертку, чтобы открутить крепежный винт задней крышки и снять заднюю крышку, далее необходимо вынуть изношенную угольную щетку и установить новую угольную щетку, проверить ее скольжение в канавке держателя угольной щетки и затем установить заднюю крышку. Смотрите Рисунок 4.

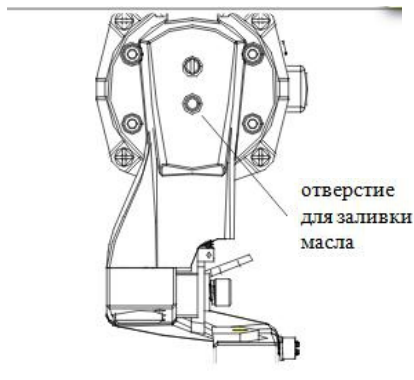


Рисунок 4.

Заточка лезвия

Если лезвие пластинки реза затупилось или сломалось, необходимо провести своевременную заточку или замену. Угловой градус заточки лезвия смотрите на Рисунке 5.

Техническое обслуживание

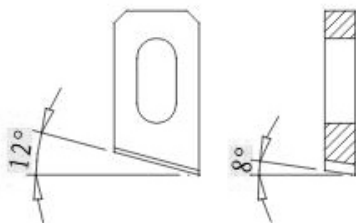
В случае возникновения повреждения вашего инструмента, просим передать его поставщику или на ремонтную станцию для проведения ремонта и определения использования оригинальных запчастей. Ни в коем случае не допускается самостоятельный разбор или замена других деталей инструмента.

комплектация

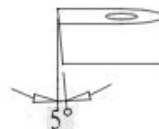
Угольная щетка 2 штуки.
Ключ-шестигранник 5



Рисунок 5.



Подвижное лезвие



Статическое лезвие

УСЛОВИЯ ГАРАНТИЙНОГО ОБСЛУЖИВАНИЯ

1. Настоящее гарантийное свидетельство является единственным документом, подтверждающим Ваше право на бесплатное гарантийное обслуживание. Без предъявления данного свидетельства претензии не принимаются. В случае утери или порчи гарантийное свидетельство не восстанавливается.
 2. Гарантийный срок на электроинструмент составляет 12 месяцев со дня продажи, в течение гарантийного срока сервисная служба бесплатно устраняет производственные дефекты и производит замену деталей, вышедших из строя по вине изготовителя. На период гарантийного ремонта эквивалентный исправный инструмент не предоставляется. Заменяемые детали переходят в собственность служб сервиса. Компания P.I.T. не несет ответственности за вред, который может быть причинен при работе с электроинструментом.
 3. В гарантийный ремонт инструмент принимается в чистом виде, при обязательном наличии надлежащим образом оформленных документов: настоящего гарантийного свидетельства, гарантийного талона, с полностью заполненными полями, штампом торговой организации и подписью покупателя.
 4. Гарантийный ремонт не производится в следующих случаях:
 - при отсутствии гарантийного свидетельства и гарантийного талона или неправильном их оформлении;
 - при совместном выходе из строя якоря и статора электродвигателя, при обугливании или оплавлении первичной обмотки трансформатора сварочного аппарата, зарядного или пуско-зарядного устройства, при оплавлении внутренних деталей, прожиге электронных плат;
 - если гарантийное свидетельство или талон не принадлежат данному электроинструменту или не соответствует установленному поставщиком образцу;
 - по истечении срока гарантии;
 - при попытках самостоятельного вскрытия или ремонта электроинструмента вне гарантийной мастерской; внесения конструктивных изменений и смазки инструмента в гарантийный период, о чем свидетельствуют, например, заломы на шлицевых частях крепежа корпусных деталей.
 - при использовании электроинструмента в производственных или иных целях, связанных с получением прибыли, а также – при возникновении неисправностей связанных с нестабильностью параметров электросети, превышающих нормы, установленные ГОСТ;
 - при неправильной эксплуатации (использование электроинструмента не по назначению, установки на электроинструмент не предназначенных заводом-изготовителем насадок, дополнительных приспособлений и т.п.);
 - при механических повреждениях корпуса, сетевого шнура и при повреждениях, вызванных воздействиями агрессивных средств и высоких и низких температур, попадании инородных предметов в вентиляционные решетки электроинструмента, а также при повреждениях, наступивших в результате неправильного хранения (коррозия металлических частей);
 - при естественном износе деталей электроинструмента, в результате длительной эксплуатации (определяется по признакам полной или частичной выработки ресурса, сильного загрязнения, ржавчины снаружи и внутри электроинструмента, отработанной смазки в редукторе);
 - использование инструмента не по назначению, указанному в инструкции по эксплуатации.
 - при механических повреждениях инструмента;
 - при возникновении повреждений в связи с несоблюдением предусмотренных инструкцией условий эксплуатации (см. главу Указание по технике безопасности в инструкции).
 - повреждение изделия вследствие несоблюдения правил хранения и транспортировки.
- Профилактическое обслуживание электроинструмента (чистка, промывка, смазка, замена пыльников, поршневых и уплотнительных колец) в гарантийный период является платной услугой.
- Срок службы изделия установлен изготовителем и составляет 2 года со дня изготовления.
- О возможных нарушениях, изложенных выше условий гарантийного обслуживания, владельцу сообщается после проведения диагностики в сервисном центре.
- Владелец инструмента доверяет проведение диагностики в сервисном центре в свое отсутствие.
- Запрещается эксплуатация электроинструмента при проявлении признаков повышенного нагрева, искрения, а также шума в редукторной части. Для выяснения причин неисправности покупателю следует обратиться в гарантийную мастерскую.
- Неисправности, вызванные несвоевременной заменой угольных щеток двигателя, устраняются за счет покупателя.
5. Гарантия не распространяется на:
 - сменные принадлежности (аксессуары и оснастка), например: аккумуляторы, диски, ножи, сверла, буры, патроны, цепи, звездочки, канговые зажимы, шины, элементы натяжения и крепления, головки триммеров, подошвы шлифовальных и ленточных машин, фильтры и т.п.
 - быстроизнашивающиеся детали, например: угольные щетки, приводные ремни, сальники, защитные кожухи, направляющие ролики, направляющие, резиновые уплотнения, подшипники, зубчатые ремни и колеса, стволы, ленты тормоза, храповики и тросы стартеров, поршневые кольца и т.п. Замена их в течение гарантийного срока является платной услугой.
 - шнуры питания, в случае повреждения изоляции, шнуры питания подлежат обязательной замене без согласия владельца (услуга платная).
 - корпуса инструмента.

ГАРАНТИЙНОЕ СВИДЕТЕЛЬСТВО НА ИНСТРУМЕНТ P.I.T.

Наименование изделия _____

Артикул изделия Серийный номер

Дата продажи «__» _____

Наименование торговой организации _____

М.П.

Уважаемый покупатель!

Благодарим Вас за покупку инструмента P.I.T. и надеемся, что Вы останетесь довольны своим выбором. В процессе производства инструменты P.I.T. проходят многоуровневый контроль качества, если тем не менее Ваше изделие будет нуждаться в обслуживании, просим Вас обращаться в авторизированные сервисные центры P.I.T.

Внимание!

При покупке требуйте у продавца проверки комплектности и работоспособности инструмента, заполнение гарантийного свидетельства, гарантийного талона(графы заполняются продавцом) и простановки печати торговой организации в гарантийном свидетельстве и гарантийном талоне.

Гарантия

На основании данного гарантийного свидетельства компания P.I.T. гарантирует отсутствие дефектов производственного характера.

Если в течении гарантийного срока в Вашем изделии тем не менее обнаружатся указанные дефекты, специализированные сервисные центры P.I.T. бесплатно отремонтируют изделие и заменят дефектные запасные части.

Гарантийный срок на электроинструменты P.I.T. составляет 12 месяцев со дня продажи.

«С условиями гарантийного обслуживания ознакомлен(а). Работоспособность и комплектность изделия проверены в моем присутствии. Претензий к качеству и внешнему виду не имею».

Подпись покупателя _____ Фамилия(разборчиво) _____

Телефон _____

P.I.T. WARRANTY CARD



Name _____
 Serial number _____
 Date of sale "" _____
 (Filled by seller)

Seal is here

WARRANTY REPAIR CARD
 date of acceptance for repair ____20_____
 Application for repair _____
 Customer _____
 Telephone (address) _____
 The reason for petition _____
 Tool checked in my presence _____
 (The order is filled in the service center) (signature)

Seal is here



Name _____
 Serial number _____
 Date of sale "" _____
 (Filled by seller)

Seal is here

WARRANTY REPAIR CARD
 date of acceptance for repair ____20_____
 Application for repair _____
 Customer _____
 Telephone (address) _____
 The reason for petition _____
 Tool checked in my presence _____
 (The order is filled in the service center) (signature)

Seal is here



Name _____
 Serial number _____
 Date of sale "" _____
 (Filled by seller)

Seal is here

WARRANTY REPAIR CARD
 date of acceptance for repair ____20_____
 Application for repair _____
 Customer _____
 Telephone (address) _____
 The reason for petition _____
 Tool checked in my presence _____
 (The order is filled in the service center) (signature)

Seal is here

Name _____
 Serial number _____
 The date of sale 20 _____
 The date of receipt of the repair 20 _____

Name _____
 Serial number _____
 The date of sale 20 _____
 The date of receipt of the repair 20 _____

Name _____
 Serial number _____
 The date of sale 20 _____
 The date of receipt of the repair 20 _____

ГАРАНТИЙНЫЙ ТАЛОН P.I.T.


Наименование _____
 Серийный номер _____
 Дата продажи «__» _____ 20 __ г.
 (Заполняется продавцом)

М.П.

КАРТА ГАРАНТИЙНОГО РЕМОНТА __
 Дата приема в ремонт __ _____ 20 __ г.
 Заявка на ремонт _____
 Заказчик _____
 Телефон(адрес) _____
 Причина обращения _____
 Дата получения из ремонта __ _____ 20 __ г.
 Инструмент проверен в моем присутствии _____
 (Заказ заполняется в сервисном центре) (подпись)

М.П.



Наименование _____
 Серийный номер _____
 Дата продажи «__» _____ 20 __ г.
 (Заполняется продавцом)

М.П.

КАРТА ГАРАНТИЙНОГО РЕМОНТА __
 Дата приема в ремонт __ _____ 20 __ г.
 Заявка на ремонт _____
 Заказчик _____
 Телефон(адрес) _____
 Причина обращения _____
 Дата получения из ремонта __ _____ 20 __ г.
 Инструмент проверен в моем присутствии _____
 (Заказ заполняется в сервисном центре) (подпись)

М.П.



Наименование _____
 Серийный номер _____
 Дата продажи «__» _____ 20 __ г.
 (Заполняется продавцом)

М.П.

КАРТА ГАРАНТИЙНОГО РЕМОНТА __
 Дата приема в ремонт __ _____ 20 __ г.
 Заявка на ремонт _____
 Заказчик _____
 Телефон(адрес) _____
 Причина обращения _____
 Дата получения из ремонта __ _____ 20 __ г.
 Инструмент проверен в моем присутствии _____
 (Заказ заполняется в сервисном центре) (подпись)

М.П.

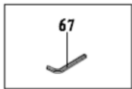
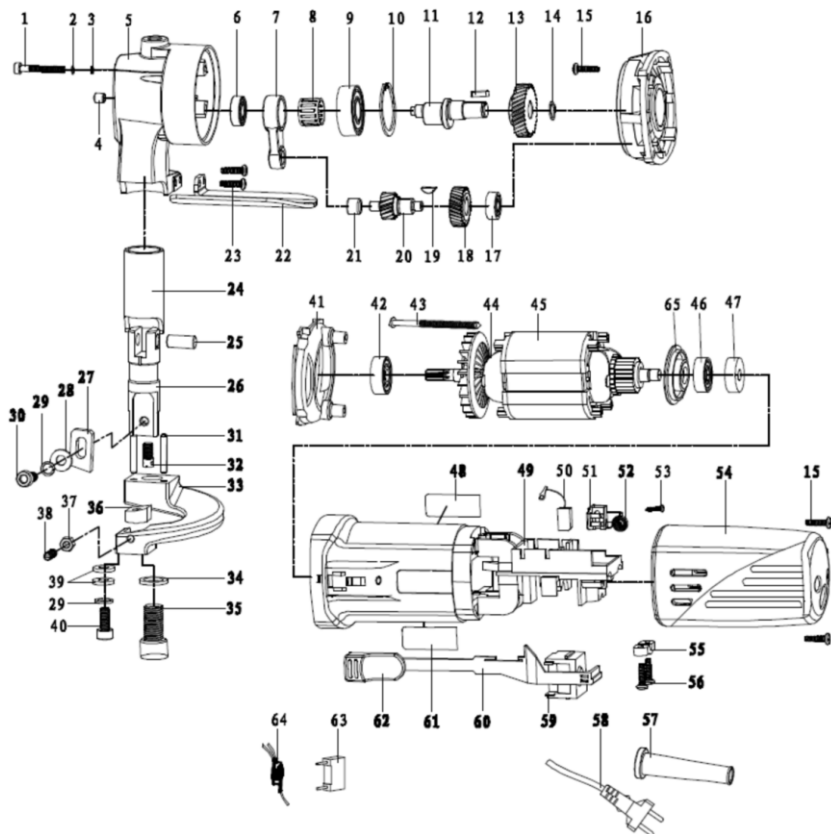
Наименование _____
 Серийный номер _____
 Дата продажи «__» _____ 20 __ г.
 Дата получения из ремонта «__» _____ 20 __ г.

Наименование _____
 Серийный номер _____
 Дата продажи «__» _____ 20 __ г.
 Дата получения из ремонта «__» _____ 20 __ г.

Наименование _____
 Серийный номер _____
 Дата продажи «__» _____ 20 __ г.
 Дата получения из ремонта «__» _____ 20 __ г.

P.I.T. WARRANTY SHEET / ГАРАНТИЙНЫЙ ТАЛОН P.I.T.

PDJ250-C PRO





Поставщик: Китай Xinjiang Longbo Industrial Co., Ltd.
Адрес производства: Rm. 602, 6th Floor, No. 531, Weixing Road, Economic And Technological Development Zone, Urumqi, Xinjiang, China
Уполномоченный представитель: ООО "Турбо-Тулс"
Юридический адрес: 614012, Пермский КРАЙ, г. Пермь, ул. Норильская, д. 8

Сделано в КНР/Made in China

