

**Robert Bosch Power Tools GmbH**

70538 Stuttgart  
GERMANY

[www.bosch-pt.com](http://www.bosch-pt.com)

**1 609 92A 21X** (2016.08) T / 119



1 609 92A 21X

# GLL 2 Professional



**BOSCH**

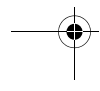
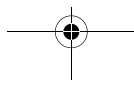
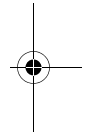
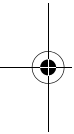
- en** Original instructions
- fr** Notice originale
- ru** Оригинальное руководство по эксплуатации
- uk** Оригінальна інструкція з експлуатації
- kk** Пайдалану нұсқаулығының түпнұсқасы
- ar** تعليمات التشغيل الأصلية
- fa** دفتريجه راهنمای اصلی

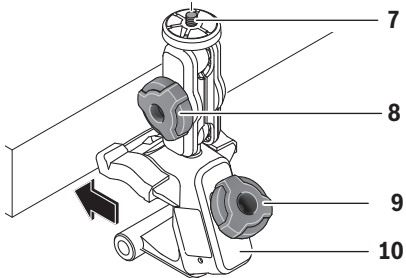
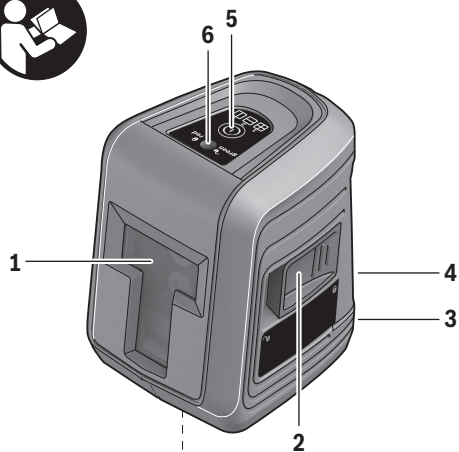




2 |

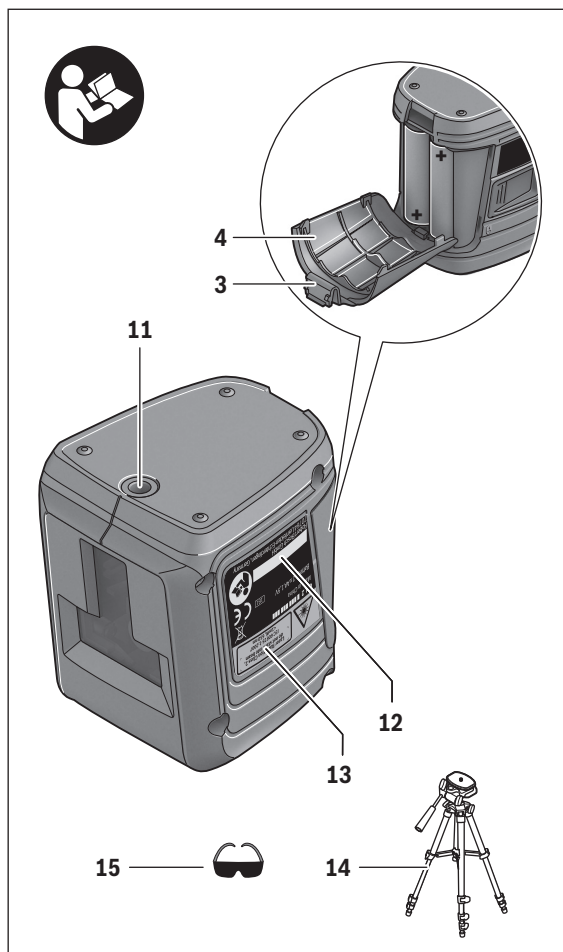
English .....	Page	7
Français .....	Page	25
Русский .....	Страница	40
Українська .....	Сторінка	58
Қазақша .....	Бет	73
عربي .....	صفحة	102
فارسی .....	صفحه	118





**GLL 2**

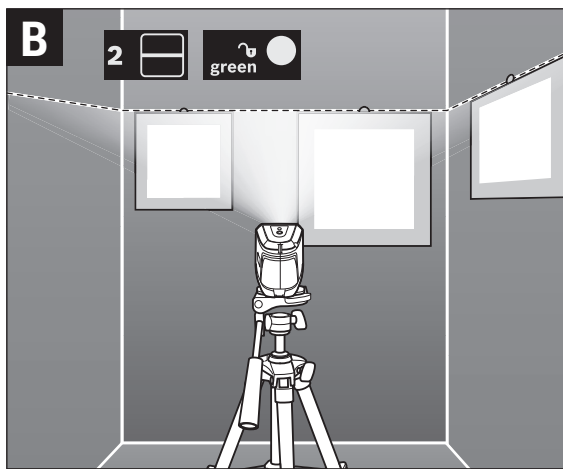
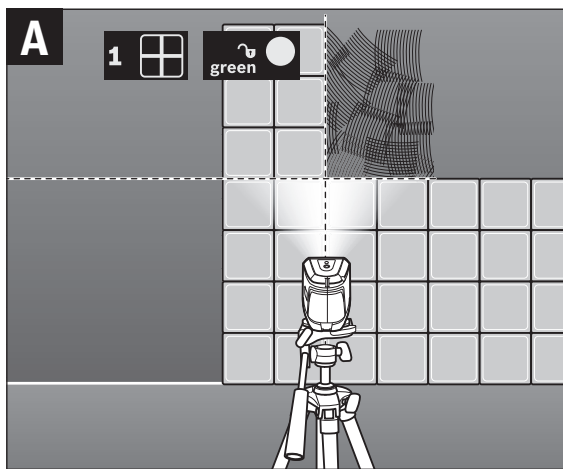
4 |



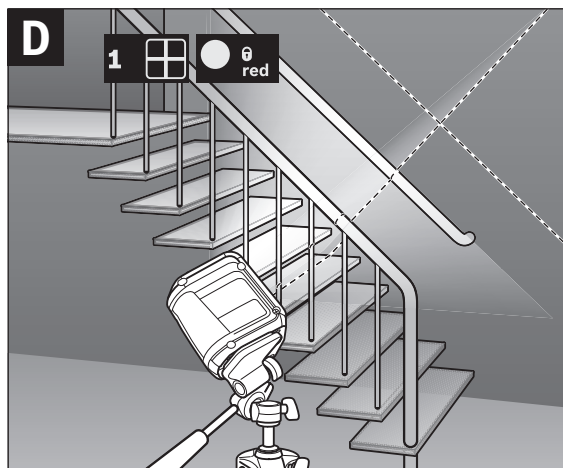
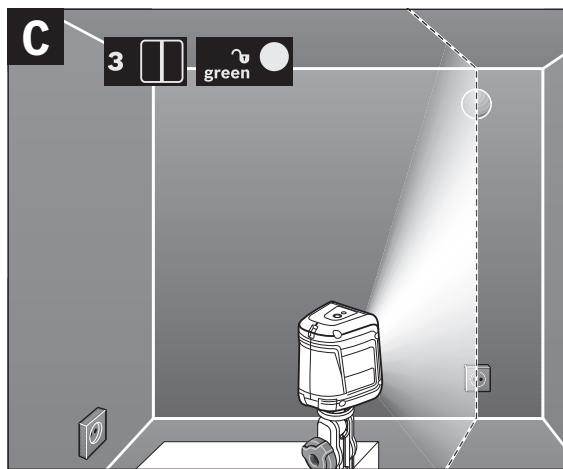
1 609 92A 21X | (30.8.16)

Bosch Power Tools





6 |



1 609 92A 21X | (30.8.16)

Bosch Power Tools

## English

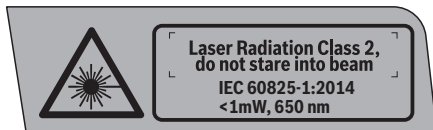
### Safety Notes



All instructions must be read and observed in order to work safely with the measuring tool. The integrated protections in the measuring tool may be compromised if the measuring tool is not used in accordance with the instructions provided. Never make warning signs on the measuring tool unrecognisable. **STORE THESE INSTRUCTIONS IN A SAFE PLACE AND INCLUDE THEM WITH THE MEASURING TOOL WHEN GIVING IT TO A THIRD PARTY.**

**STORE THESE INSTRUCTIONS IN A SAFE PLACE AND INCLUDE THEM WITH THE MEASURING TOOL WHEN GIVING IT TO A THIRD PARTY.**

- ▶ **Caution** – The use of other operating or adjusting equipment or the application of other processing methods than those mentioned here can lead to dangerous radiation exposure.
- ▶ The measuring tool is provided with a warning label (marked with number 13 in the representation of the measuring tool on the graphics page).



- ▶ If the text of the warning label is not in your national language, stick the provided warning label in your national language over it before operating for the first time.



**Do not direct the laser beam at persons or animals and do not stare into the direct or reflected laser beam yourself, not even from a distance.** You could blind somebody, cause accidents or damage your eyes.

- ▶ If laser radiation strikes your eye, you must deliberately close your eyes and immediately turn your head away from the beam.
- ▶ Do not make any modifications to the laser equipment.

## 8 | English

- ▶ **Do not use the laser viewing glasses as safety goggles.** The laser viewing glasses are used for improved visualisation of the laser beam, but they do not protect against laser radiation.
- ▶ **Do not use the laser viewing glasses as sun glasses or in traffic.** The laser viewing glasses do not afford complete UV protection and reduce colour perception.
- ▶ **Have the measuring tool repaired only through qualified specialists using original spare parts.** This ensures that the safety of the measuring tool is maintained.
- ▶ **Do not allow children to use the laser measuring tool without supervision.** They could unintentionally blind other persons or themselves.
- ▶ **Do not operate the measuring tool in explosive environments, such as in the presence of flammable liquids, gases or dusts.** Sparks can be created in the measuring tool which may ignite the dust or fumes.

## Product Description and Specifications

### Intended Use

The measuring tool is intended for determining and checking horizontal and vertical lines.

The measuring tool is suitable exclusively for operation in enclosed working sites.

### Product Features

The numbering of the product features shown refers to the illustration of the measuring tool on the graphic page.

- 1 Exit opening for laser beam
- 2 Switch for automatic levelling/locking the levelling unit
- 3 Latch of battery lid
- 4 Battery lid
- 5 On/Off button / Mode button
- 6 Automatic levelling indicator
- 7 1/4" screw of the universal holder
- 8 Locking screw for holder
- 9 Fastening screw of holder
- 10 Holder

- 11** Tripod mount 1/4"
- 12** Serial number
- 13** Laser warning label
- 14** Tripod\*
- 15** Laser viewing glasses\*

\* **The accessories illustrated or described are not included as standard delivery.**

## Technical Data

Cross-line Laser	GLL 2
Article number	3 601 K63 A01
Working range to approx. <sup>1)</sup>	10 m
Levelling Accuracy	± 0.5 mm/m
Self-levelling range, typically	± 4°
Levelling duration, typically	≤ 6 s
Operating temperature	+ 5 °C... + 40 °C
Storage temperature	- 20 °C... + 70 °C
Relative air humidity, max.	90 %
Laser class	2
Laser type	650 nm, < 1 mW
Diameter of laser beam <sup>2)</sup> (at 25 °C), approx.	
– at 3 m distance	2 mm
– at 5 m distance	3 mm
Divergence of laser line	0.5 mrad (full angle)
Tripod mount	1/4"
Batteries	2 x 1.5 V LR6 (AA)
Operating time, approx.	15 h
Weight according to EPTA-Procedure 01:2014	0.28 kg
Dimensions (length x width x height)	77 x 63 x 84 mm

1) The working range can be decreased by unfavourable environmental conditions (e.g. direct sun irradiation).

2) The width of the laser line depends on the surface characteristics and on the ambient conditions.

The measuring tool can be clearly identified with the serial number **12** on the type plate.

## Assembly

### Inserting/Replacing the Batteries

Alkali-manganese batteries are recommended for the measuring tool.


To open the battery lid **4**, press on the latch **3** and fold the battery lid up. Insert the batteries. When inserting, pay attention to the correct polarity according to the representation on the inside of the battery lid.

Always replace all batteries at the same time. Only use batteries from one brand and with the identical capacity.

- ▶ **Remove the batteries from the measuring tool when not using it for extended periods.** When storing for extended periods, the batteries can corrode and self-discharge.

## Operation


### Initial Operation

- ▶ **Protect the measuring tool against moisture and direct sun light.**
- ▶ **Do not subject the measuring tool to extreme temperatures or variations in temperature.** As an example, do not leave it in vehicles for a long time. In case of large variations in temperature, allow the measuring tool to adjust to the ambient temperature before putting it into operation. In case of extreme temperatures or variations in temperature, the accuracy of the measuring tool can be impaired.
- ▶ **Avoid heavy impact or falling of the measuring tool.** After heavy exterior impact on the measuring tool, an accuracy check should always be carried out before continuing to work (see "Levelling Accuracy").
- ▶ **Push the switch for automatic levelling **2** to the  position when transporting the measuring tool.** This locks the levelling unit, which can be damaged in case of intense movement.

### Switching On and Off



To **switch on** the measuring tool, press the On/Off button **5**. Immediately after switching on, the measuring tool sends a laser beams out of the exit opening **1**.

- ▶ **Do not point the laser beam at persons or animals and do not look into the laser beam yourself, not even from a large distance.**

To **switch off** the measuring tool, press the On/Off button **5** repeatedly until the automatic levelling indicator **6** goes out. Slide the automatic levelling switch **2** into  position to lock the levelling unit.







► **Do not leave the switched-on measuring tool unattended and switch the measuring tool off after use.** Other persons could be blinded by the laser beam.

## Operating Modes

Once switched on, the measuring tool is in operating mode with automatic levelling  or in the operating mode without automatic levelling .

To change the line styles, press the operating mode button **5** repeatedly until the desired mode is set.

The various operating modes are shown in the table below.

Symbol	Mode
 	<b>Cross-line mode</b> (see figures A and D): The measuring tool generates a horizontal and a vertical laser line from the exit opening <b>1</b> .
 	<b>Horizontal mode</b> (see figure B): The measuring tool generates a horizontal laser line from the exit opening <b>1</b> .
 	<b>Vertical mode</b> (see figure C): The measuring tool generates a vertical laser line from the exit opening <b>1</b> .



All modes can be selected both with and without automatic levelling.

## Application

The measuring tool is used to determine and check horizontal and vertical lines and to display inclined lines.

### Working with Automatic Levelling

Position the measuring tool on a level, firm support or attach it to a tripod **14** or to the supplied holder.

For work with automatic levelling, push the switch for automatic levelling **2** to the  position. The automatic levelling indicator **6** lights up green ( symbol/"green").

If the automatic levelling function is not possible, e. g. because the surface on which the measuring tool stands deviates by more than 4° from the horizontal plane, the laser lines flash and the indicator **6** lights up red.

## 12 | English

If this is the case, set up the measuring tool in a level position and wait for the self-levelling to take place. As soon as the measuring tool is once again within the self-levelling range of  $\pm 4^\circ$ , the laser lines light up continuously and the automatic levelling indicator **6** lights up green.

When not within the self-levelling range of  $\pm 4^\circ$ , working with automatic levelling is not possible, because it cannot be assured that the laser lines run at a right angle to each other.

In case of ground vibrations or position changes during operation, the measuring tool is automatically levelled in again. To avoid errors, check the position of the horizontal and vertical laser line with regard to the reference points upon re-levelling.

### Working without Automatic Levelling

To work in the operating mode without automatic levelling, slide the automatic levelling switch **2** into position **1**. The automatic levelling indicator **6** lights up red (☹ symbol/“red”).

When automatic levelling is switched off, you can hold the measuring tool freely in your hand or place it on an inclined surface. The laser lines no longer necessarily run perpendicular to each other.

### Levelling Accuracy

#### Influences on Accuracy

The ambient temperature has the greatest influence. Especially temperature differences occurring from the ground upward can divert the laser beam.

As thermal fluctuation is largest close to the ground, the measuring tool, if possible, should be mounted on the tripod **14** and placed in the centre of the working area.

In addition to external influences, device-specific influences (e.g. falls or heavy impacts) can also lead to deviations. For this reason, check the levelling accuracy each time before beginning work.

First, check both the height as well as the levelling accuracy of the horizontal laser line, then the levelling accuracy of the vertical laser line.

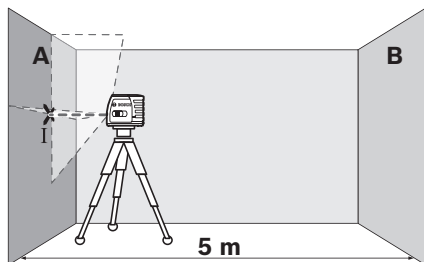
Should the measuring tool exceed the maximum deviation during one of the tests, please have it repaired by a Bosch after-sales service.



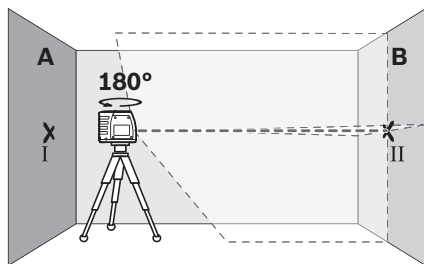
### Checking the Height Accuracy of the Horizontal Line

For this check, a free measuring distance of 5 m on a firm surface between two walls A and B is required.

- Mount the measuring tool onto a tripod or place it on a firm and level surface close to wall A. Switch on the measuring tool. Select cross-line operation with automatic levelling.



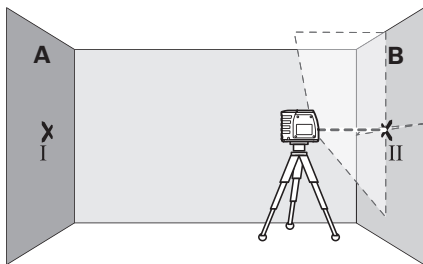
- Direct the laser against the close wall A and allow the measuring tool to level in. Mark the centre of the point where the laser lines cross each other on the wall (point I).



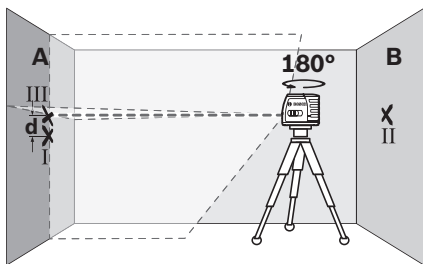
- Turn the measuring tool by 180°, allow it to level in and mark the cross point of the laser lines on the opposite wall B (point II).

## 14 | English

- Without turning the measuring tool, position it close to wall B. Switch the measuring tool on and allow it to level in.



- Align the height of the measuring tool (using a tripod or by underlaying, if required) in such a manner that the cross point of the laser lines is projected against the previously marked point II on the wall B.



- Without changing the height, turn around the measuring tool by 180°. Direct it against the wall A in such a manner that the vertical laser line runs through the already marked point I. Allow the measuring tool to level in and mark the cross point of the laser lines on the wall A (point III).
- The difference **d** of both marked points I and III on wall A indicates the actual height deviation of the measuring tool.

On the measuring distance of  $2 \times 5 \text{ m} = 10 \text{ m}$ , the maximum allowable deviation is:

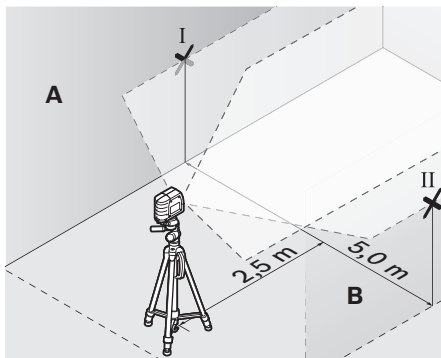
$$10 \text{ m} \times \pm 0.5 \text{ mm/m} = \pm 5 \text{ mm.}$$

Thus, the difference **d** between points I and III must not exceed 5 mm (max.).

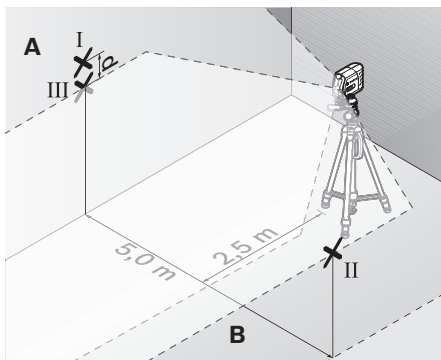
### Checking the Levelling Accuracy of the Horizontal Line

For the check, a free surface of approx. 5 x 5 metres is required.

- Set up the measuring tool on a firm, level surface between both walls A and B. Allow the measuring tool to level in while in horizontal operation with automatic levelling.



- At a distance of 2.5 metres from the measuring tool, mark the centre of the laser line (point I on wall A and point II on wall B) on both walls.



## 16 | English

- Set up the measuring tool 5 metres away turned by 180° and allow it to level in.
- Align the height of the measuring tool (using a tripod or by underlaying, if required) in such a manner that the centre of the laser line is projected exactly against the previously marked point II on wall B.
- Mark the centre of the laser line as point III (vertically above or below point I) on the wall A.
- The difference **d** of both marked points I and III on wall A indicates the actual deviation of the measuring tool from the level plane.

On the measuring distance of  $2 \times 5 \text{ m} = 10 \text{ m}$ , the maximum allowable deviation is:

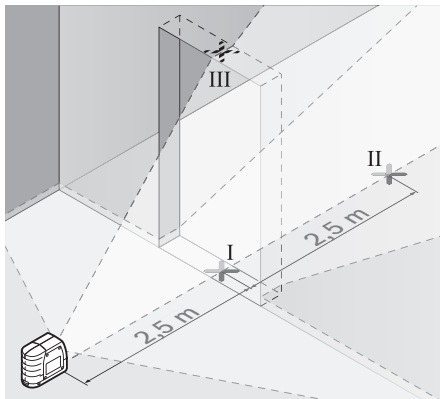
$$10 \text{ m} \times \pm 0.5 \text{ mm/m} = \pm 5 \text{ mm.}$$

Thus, the difference **d** between points I and III must not exceed 5 mm (max.).

### Checking the Levelling Accuracy of the Vertical Line

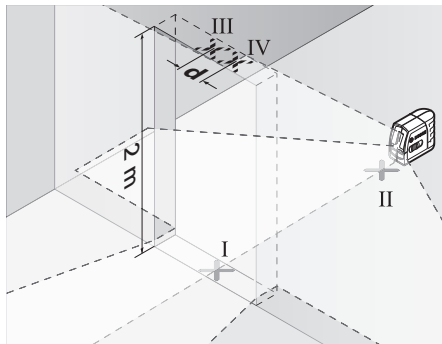
For this check, a door opening is required with at least 2.5 m of space (on a firm surface) to each side of the door.

- Position the measuring tool on a firm, level surface (not on a tripod) 2.5 m away from the door opening. Allow the measuring tool to level in while in cross-line operation mode with automatic levelling, and direct the frontal vertical laser line against the door opening.



## English | 17

- Mark the centre of the vertical laser line at the floor of the door opening (point I), at a distance of 5 m beyond the other side of the door opening (point II) and at the upper edge of the door opening (point III).



- Rotate the measuring tool by 180° and position it on the other side of the door opening directly behind point II. Allow the measuring tool to level in and align the vertical laser line in such a manner that its centre runs exactly through points I and II.
- Mark the centre of the laser line at the upper edge of the door opening as point IV.
- The difference **d** of both marked points III and IV results in the actual deviation of the measuring tool to the plumb line.

The maximum admissible deviation is calculated as follows:

Doubled height of the door opening x 0.5 mm/m

Example: For a door-opening height of 2 m, the maximum deviation may be  $2 \times 2 \text{ m} \times \pm 0.5 \text{ mm/m} = \pm 2 \text{ mm}$ . Consequently, points III and IV may be no more than 2 mm (max.) apart from each other for each of both measurements.

## 18 | English

### Working Advice

- ▶ **Always use the centre of the laser line for marking.** The width of the laser line changes with the distance.

#### Attaching with the Holder

With the holder **10**, you can fasten the measuring tool to different objects ranging in thickness between 10 and 60 mm, such as vertical or horizontal boards or pipes.

Loosen the fastening screw **9** of the holder, mount the holder to the desired location and tighten the fastening screw again.

Place the measuring tool via the tripod mount **11** onto the 1/4" male thread **7** of the holder and screw it on applying moderate force. Do not overtighten the measuring tool, otherwise it can become damaged.

Adjust the holder roughly before switching on the measuring tool. For this, loosen the locking screw **8** for the holder and move the measuring tool until horizontally positioned at the desired height. Retighten the locking screw.

#### Working with the Tripod

A tripod **14** offers a stable, height-adjustable measuring support. Place the measuring tool via the tripod mount **11** onto the 1/4" male thread of the tripod and screw the locking screw of the tripod tight.

#### Laser Viewing Glasses

The laser viewing glasses filter out the ambient light. This makes the red light of the laser appear brighter for the eyes.

- ▶ **Do not use the laser viewing glasses as safety goggles.** The laser viewing glasses are used for improved visualisation of the laser beam, but they do not protect against laser radiation.
- ▶ **Do not use the laser viewing glasses as sun glasses or in traffic.** The laser viewing glasses do not afford complete UV protection and reduce colour perception.

## Maintenance and Service

### Maintenance and Cleaning

Keep the measuring tool clean at all times.

Do not immerse the measuring tool in water or other fluids.

Wipe off debris using a moist and soft cloth. Do not use any cleaning agents or solvents.

Regularly clean the surfaces at the exit opening of the laser in particular, and pay attention to any fluff or fibres.

### After-sales Service and Application Service

Our after-sales service responds to your questions concerning maintenance and repair of your product as well as spare parts. Exploded views and information on spare parts can also be found under:

**[www.bosch-pt.com](http://www.bosch-pt.com)**

Bosch's application service team will gladly answer questions concerning our products and their accessories.

In all correspondence and spare parts orders, please always include the 10-digit article number given on the type plate of the measuring tool.

#### Great Britain

Robert Bosch Ltd. (B.S.C.)

P.O. Box 98

Broadwater Park

North Orbital Road

Denham

Uxbridge

UB 9 5HJ

At [www.bosch-pt.co.uk](http://www.bosch-pt.co.uk) you can order spare parts or arrange the collection of a product in need of servicing or repair.

Tel. Service: (0344) 7360109

E-Mail: [boschservicecentre@bosch.com](mailto:boschservicecentre@bosch.com)

20 | English

**Ireland**

Origo Ltd.  
Unit 23 Magna Drive  
Magna Business Park  
City West  
Dublin 24  
Tel. Service: (01) 4666700  
Fax: (01) 4666888

**Australia, New Zealand and Pacific Islands**

Robert Bosch Australia Pty. Ltd.  
Power Tools  
Locked Bag 66  
Clayton South VIC 3169  
Customer Contact Center  
Inside Australia:  
Phone: (01300) 307044  
Fax: (01300) 307045  
Inside New Zealand:  
Phone: (0800) 543353  
Fax: (0800) 428570  
Outside AU and NZ:  
Phone: +61 3 95415555  
[www.bosch.com.au](http://www.bosch.com.au)

**Republic of South Africa**

**Customer service**

Hotline: (011) 6519600

**Gauteng – BSC Service Centre**

35 Roper Street, New Centre  
Johannesburg  
Tel.: (011) 4939375  
Fax: (011) 4930126  
E-Mail: [bsctools@icon.co.za](mailto:bsctools@icon.co.za)



**KZN – BSC Service Centre**

Unit E, Almar Centre  
143 Crompton Street  
Pinetown  
Tel.: (031) 7012120  
Fax: (031) 7012446  
E-Mail: bsc.dur@za.bosch.com

**Western Cape – BSC Service Centre**

Democracy Way, Prosperity Park  
Milnerton  
Tel.: (021) 5512577  
Fax: (021) 5513223  
E-Mail: bsc@zsd.co.za

**Bosch Headquarters**

Midrand, Gauteng  
Tel.: (011) 6519600  
Fax: (011) 6519880  
E-Mail: rbsa-hq.pts@za.bosch.com

**People's Republic of China**

**China Mainland**

Bosch Power Tools (China) Co., Ltd.  
567, Bin Kang Road  
Bin Jiang District 310052  
Hangzhou, P. R. China  
Service Hotline: 4008268484  
Fax: (0571) 87774502  
E-Mail: contact.ptcn@cn.bosch.com  
www.bosch-pt.com.cn

**HK and Macau Special Administrative Regions**

Robert Bosch Hong Kong Co. Ltd.  
21st Floor, 625 King's Road  
North Point, Hong Kong  
Customer Service Hotline: +852 2101 0235  
Fax: +852 2590 9762  
E-Mail: info@hk.bosch.com  
www.bosch-pt.com.hk

## 22 | English

### **Indonesia**

PT Robert Bosch  
Palma Tower 9<sup>th</sup> & 10<sup>th</sup> Floor  
Jl. Let. Jend. TB Simatupang II S/06  
Jakarta Selatan 12960  
Indonesia  
Tel.: (021) 3005 65 65  
Fax: (021) 3005 5801  
E-Mail: boschpowertools@id.bosch.com  
www.bosch-pt.co.id

### **Philippines**

Robert Bosch, Inc.  
28th Floor Fort Legend Towers,  
3rd Avenue corner 31st Street,  
Fort Bonifacio Global City,  
1634 Taguig City, Philippines  
Tel.: (02) 8703871  
Fax: (02) 8703870  
matheus.contiero@ph.bosch.com  
www.bosch-pt.com.ph

Bosch Service Center:  
9725-27 Kamagong Street  
San Antonio Village  
Makati City, Philippines  
Tel.: (02) 8999091  
Fax: (02) 8976432  
rosalie.dagdagan@ph.bosch.com

**Malaysia**

Robert Bosch (S.E.A.) Sdn. Bhd.  
No. 8A, Jalan 13/6  
G.P.O. Box 10818  
46200 Petaling Jaya  
Selangor, Malaysia  
Tel.: (03) 79663194  
Fax: (03) 79583838  
cheehoe.on@my.bosch.com  
Toll-Free: 1800 880188  
www.bosch-pt.com.my

**Thailand**

Robert Bosch Ltd.  
Liberty Square Building  
No. 287, 11 Floor  
Silom Road, Bangrak  
Bangkok 10500  
Tel.: 02 6393111, 02 6393118  
Fax: 02 2384783  
Robert Bosch Ltd., P. O. Box 2054  
Bangkok 10501, Thailand  
www.bosch.co.th

Bosch Service – Training Centre  
La Salle Tower Ground Floor Unit No.2  
10/11 La Salle Moo 16  
Srinakharin Road  
Bangkaew, Bang Plee  
Samutprakarn 10540  
Thailand  
Tel.: 02 7587555  
Fax: 02 7587525

## 24 | English

### **Singapore**

Robert Bosch (SEA) Pte. Ltd.  
11 Bishan Street 21  
Singapore 573943  
Tel.: 6571 2772  
Fax: 6350 5315  
leongheng.leow@sg.bosch.com  
Toll-Free: 1800 3338333  
www.bosch-pt.com.sg

### **Vietnam**

Robert Bosch Vietnam Co. Ltd  
10/F, 194 Golden Building  
473 Dien Bien Phu Street  
Ward 25, Binh Thanh District  
84 Ho Chi Minh City  
Vietnam  
Tel.: (08) 6258 3690 ext. 413  
Fax: (08) 6258 3692  
hie.u.lagia@vn.bosch.com  
www.bosch-pt.com

### **Disposal**

Measuring tools, accessories and packaging should be sorted for environmental-friendly recycling.

Do not dispose of measuring tools and batteries/rechargeable batteries into household waste!

**Subject to change without notice.**

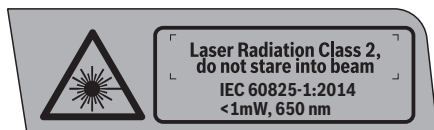
## Français

### Avertissements de sécurité



Pour une utilisation sans danger et en toute sécurité de l'appareil de mesure, lisez attentivement toutes les instructions et tenez-en compte. Si l'appareil de mesure n'est pas utilisé conformément aux présentes instructions, les dispositifs de protection intégrés dans l'appareil sont susceptibles d'être endommagés. Faites en sorte que les étiquettes d'avertissement se trouvant sur l'appareil de mesure restent toujours lisibles. **CONSERVEZ CES INSTRUCTIONS DANS UN LIEU SÛR ET REMETTEZ-LES À TOUT NOUVEL UTILISATEUR DE L'APPAREIL DE MESURE.**

- ▶ Attention – si d'autres dispositifs d'utilisation ou d'ajustage que ceux indiqués ici sont utilisés ou si d'autres procédés sont appliqués, ceci peut entraîner une exposition dangereuse au rayonnement.
- ▶ Cet appareil de mesure est fourni avec une plaque d'avertissement (dans la représentation de l'appareil de mesure se trouvant sur la page des graphiques elle est marquée du numéro 13).



- ▶ Avant la première mise en service, recouvrir le texte de la plaque d'avertissement par l'autocollant fourni dans votre langue.



**Ne pas diriger le faisceau laser vers des personnes ou des animaux et ne jamais regarder soi-même dans le faisceau laser.** Vous risquez sinon d'éblouir des personnes, de causer des accidents ou de blesser les yeux.

- ▶ Au cas où le faisceau laser frappe un œil, fermez immédiatement les yeux et déplacez la tête pour l'éloigner du faisceau. Ne jamais apporter de modifications au dispositif laser.
- ▶ Ne jamais apporter de modifications au dispositif laser.

## 26 | Français

- ▶ **Ne pas utiliser les lunettes de vision du faisceau laser en tant que lunettes de protection.** Les lunettes de vision du faisceau laser servent à mieux visualiser le faisceau laser, elles ne protègent cependant pas du rayonnement laser.
- ▶ **Ne pas utiliser les lunettes de vision du faisceau laser en tant que lunettes de soleil ou en circulation routière.** Les lunettes de vision du faisceau laser ne protègent pas parfaitement contre les rayons ultra-violetes et réduisent la perception des couleurs.
- ▶ **Ne faire réparer l'appareil de mesure que par une personne qualifiée et seulement avec des pièces de rechange d'origine.** Ceci permet d'assurer la sécurité de l'appareil de mesure.
- ▶ **Ne pas laisser les enfants utiliser l'appareil de mesure laser sans surveillance.** Ils risqueraient d'éblouir d'autres personnes par mégarde.
- ▶ **Ne pas faire fonctionner les appareils de mesure en atmosphère explosive, par exemple en présence de liquides inflammables, de gaz ou de poussières.** L'appareil de mesure produit des étincelles qui peuvent enflammer les poussières ou les vapeurs.

## Description et performances du produit

### Utilisation conforme

L'appareil de mesure est conçu pour déterminer et vérifier des lignes horizontales et verticales.

L'appareil de mesure est exclusivement conçu pour fonctionner dans des locaux fermés.

### Éléments de l'appareil

La numérotation des éléments de l'appareil se réfère à la représentation de l'appareil de mesure sur la page graphique.

- 1 Orifice de sortie du faisceau laser
- 2 Interrupteur du nivellement automatique/blocage de l'unité pendulaire
- 3 Dispositif de verrouillage du couvercle du compartiment à piles
- 4 Couvercle du compartiment à piles
- 5 Touche Marche/Arrêt / touche Mode
- 6 Nivellement automatique
- 7 Vis 1/4" du support de fixation

Français | 27

- 8** Vis de serrage de la fixation
- 9** Vis de fixation
- 10** Embase de fixation
- 11** Raccord de trépied 1/4"
- 12** Numéro de série
- 13** Plaque signalétique du laser
- 14** Trépied\*
- 15** Lunettes de vision du faisceau laser\*

\* Les accessoires décrits ou illustrés ne sont pas tous compris dans la fourniture.

### Caractéristiques techniques

Laser croix	GLL 2
N° d'article	3 601 K63 A01
Zone de travail jusqu'à environ <sup>1)</sup>	10 m
Précision de nivellement	± 0,5 mm/m
Plage typique de nivellement automatique	± 4°
Temps typique de nivellement	≤ 6 s
Température de fonctionnement	+ 5 °C... + 40 °C
Température de stockage	- 20 °C... + 70 °C
Humidité relative de l'air max.	90 %
Classe laser	2
Type de laser	650 nm, < 1 mW
Diamètre approx. du faisceau laser <sup>2)</sup> (à 25 °C)	
– à 3 m de distance	2 mm
– à 5 m de distance	3 mm
Divergence ligne laser	0,5 mrad (angle plein)
Raccord de trépied	1/4"

1) La portée peut être réduite par des conditions défavorables (par ex. exposition directe au soleil).

2) La largeur de la ligne laser dépend de la consistance de la surface et des conditions environnantes.

Le numéro de série **12** qui se trouve sur la plaque signalétique permet une identification précise de votre appareil.

**28 | Français**

<b>Laser croix</b>	<b>GLL 2</b>
Piles	2 x 1,5 V LR6 (AA)
Autonomie env.	15 h
Poids suivant EPTA-Procédure 01:2014	0,28 kg
Dimensions (longueur x largeur x hauteur)	77 x 63 x 84 mm

- 1) La portée peut être réduite par des conditions défavorables (par ex. exposition directe au soleil).
- 2) La largeur de la ligne laser dépend de la consistance de la surface et des conditions environnantes.

Le numéro de série **12** qui se trouve sur la plaque signalétique permet une identification précise de votre appareil.

## Montage

### Mise en place/changement des piles

Pour le fonctionnement de l'appareil de mesure, nous recommandons d'utiliser des piles alcalines au manganèse.

Pour ouvrir le couvercle du compartiment à piles **4**, appuyez sur le bouchon **3** et ouvrez le couvercle du compartiment à piles. Introduisez les piles. Veillez à la bonne position des pôles qui doit correspondre à la figure se trouvant à l'intérieur du couvercle du compartiment à piles.

Remplacez toujours toutes les piles en même temps. N'utilisez que des piles de la même marque avec la même capacité.

- ▶ **Sortez les piles de l'appareil de mesure au cas où l'appareil ne serait pas utilisé pendant une période prolongée.** En cas de stockage prolongé, les piles peuvent se corroder et se décharger.


## Fonctionnement

### Mise en service

- ▶ **Protégez l'appareil de mesure contre l'humidité, ne l'exposez pas directement aux rayons du soleil.**
- ▶ **N'exposez pas l'appareil de mesure à des températures extrêmes ou de forts changements de température.** Ne le stockez pas trop longtemps dans une voiture par ex. S'il est exposé à d'importants




changements de température, laissez-le revenir à la température ambiante avant de le remettre en marche. Des températures extrêmes ou de forts changements de température peuvent réduire la précision de l'appareil de mesure.

- ▶ **Évitez les chocs ou les chutes de l'appareil de mesure.** Lorsque l'appareil de mesure a été soumis à de fortes sollicitations extérieures, effectuez toujours un contrôle de précision avant de continuer à travailler (voir « Précision de nivellement »).
- ▶ **Poussez l'interrupteur du nivellement automatique 2 en position  , lorsque vous transportez l'appareil de mesure.** Ceci verrouille l'unité pendulaire afin d'éviter tous dommages lors de mouvements importants.

### Mise en marche/arrêt



Pour **mettre en marche** l'appareil de mesure, appuyez sur la touche Marche/Arrêt 5. Immédiatement après sa mise en marche, l'appareil de mesure émet le faisceau laser au travers de l'orifice de sortie 1.

- ▶ **Ne dirigez pas le faisceau laser vers des personnes ou des animaux et ne regardez jamais dans le faisceau laser, même si vous êtes à grande distance de ce dernier.**

Pour **arrêter** l'appareil de mesure, appuyez de façon répétée sur la touche Marche/Arrêt 5 jusqu'à ce que Nivellement automatique 6 disparaisse de l'affichage. Poussez l'interrupteur du nivellement automatique 2 dans la position  pour verrouiller l'unité pendulaire.

- ▶ **Ne laissez pas sans surveillance l'appareil de mesure allumé et éteignez-le après l'utilisation.** D'autres personnes pourraient être éblouies par le faisceau laser.




### Modes opératoires

Après sa mise en marche, l'appareil de mesure se trouve dans le mode avec nivellement automatique  ou dans le mode sans nivellement automatique .

Pour changer de mode de fonctionnement, appuyez sur la touche Mode 5 de façon répétée jusqu'à ce que le mode souhaité soit sélectionné.

## 30 | Français

Le tableau ci-dessous détaille les différents modes de fonctionnement.

Symbole	Mode
<b>1</b> 	<b>Mode lignes croisées</b> (voir figures A et D): L'appareil de mesure génère une ligne laser horizontale et une ligne laser verticale au niveau de l'orifice de sortie du faisceau laser <b>1</b> .
<b>2</b> 	<b>Mode horizontal</b> (voir figure B): L'appareil de mesure génère une ligne laser horizontale au niveau de l'orifice de sortie du faisceau laser <b>1</b> .
<b>3</b> 	<b>Mode vertical</b> (voir figure C): L'appareil de mesure génère une ligne laser verticale au niveau de l'orifice de sortie du faisceau laser <b>1</b> .



Tous les modes de fonctionnement peuvent être sélectionnés avec ou sans nivellement automatique.

### Utilisation

L'appareil de mesure est destiné à la détermination et à la vérification de lignes horizontales et verticales ainsi qu'à l'affichage de lignes inclinées.

#### Travailler avec nivellement automatique

Placez l'appareil de mesure sur un support horizontal stable ou bien fixez-le sur le trépied **14** ou sur le support de fixation fourni.

Pour travailler en nivellement automatique, poussez l'interrupteur du nivellement automatique **2** en position . L'affichage nivellement automatique **6** s'allume vert (symbole  « green »).

Quand un nivellement automatique n'est pas possible, par ex. du fait que la surface sur laquelle repose l'appareil de mesure est inclinée de plus de 4° par rapport à l'horizontale, les lignes laser clignotent et l'affichage **6** s'allume rouge.

Dans un tel cas, placez l'appareil de mesure à l'horizontale et attendez que le nivellement automatique se fasse. Dès que l'appareil de mesure se trouve à l'intérieur de la plage de nivellement automatique de  $\pm 4^\circ$ , les lignes laser cessent de clignoter et l'affichage nivellement automatique **6** s'allume vert.

Il n'est pas possible d'utiliser le nivellement automatique en dehors de la plage de nivellement automatique de  $\pm 4^\circ$ , sinon il n'y a pas garantie que les lignes laser soient parfaitement perpendiculaires à angle droit l'une par rapport à l'autre.

En cas de chocs ou de modifications de place pendant l'utilisation, l'appareil de mesure se renivèle à nouveau automatiquement. Après un nivellement, vérifiez la position de la ligne laser horizontale ou verticale par rapport aux points de référence afin d'éviter des erreurs.

### Travailler sans nivellement automatique

Pour effectuer des mesures dans le mode de fonctionnement sans nivellement automatique, poussez l'interrupteur de nivellement automatique **2** dans la position **1**. L'affichage nivellement automatique **6** s'allume rouge (symbole **6**/« red »).

Lorsque le nivellement automatique est désactivé, il est possible de tenir l'appareil de mesure simplement en main ou de le poser sur un support approprié. Les lignes laser ne sont plus forcément perpendiculaires l'une par rapport à l'autre.

### Précision de nivellement

#### Influences sur la précision

C'est la température ambiante qui exerce la plus grande influence. Ce sont notamment les différences de température entre le sol et la hauteur de travail qui peuvent faire dévier le faisceau laser.

Comme c'est au niveau du sol que la stratification de température est la plus importante, il convient, dans la mesure du possible, de monter l'appareil de mesure sur le trépied **14** et de placer ce dernier au centre de la surface de travail.

Étant donné que les résultats de mesure peuvent être altérés à la fois par des facteurs extérieurs (températures extrêmes, fortes variations de température, etc.) et par des facteurs mécaniques (par ex. chutes ou chocs violents). Il est important de vérifier la précision de nivellement avant chaque travail.

Contrôlez d'abord la précision de hauteur ainsi que de nivellement de la ligne laser horizontale, ensuite la précision de nivellement de la ligne laser verticale.

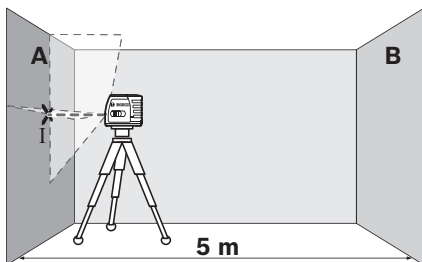
Si l'appareil de mesure dépasse l'écart maximal de précision pour un des contrôles, faites-le réparer par un Service Après-Vente Bosch.

### 32 | Français

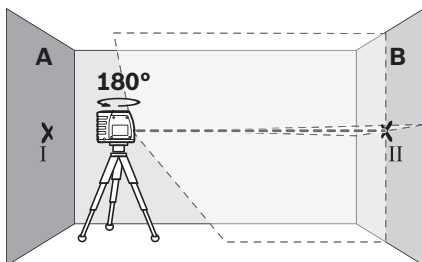
#### Contrôler la précision de hauteur des lignes horizontales

Pour ce contrôle, il est nécessaire de travailler sur une distance dégagée de 5 m sur un sol stable entre deux murs A et B.

- Montez l'appareil de mesure près du mur A sur un trépied ou le placer sur un sol stable et plan. Mettez l'appareil de mesure en fonctionnement. Choisissez le mode en croix avec nivellement automatique.

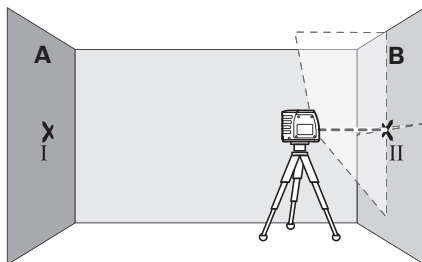


- Dirigez le laser sur le mur le plus proche A et laissez l'appareil de mesure se niveler automatiquement. Marquez le milieu du point sur le mur où les lignes laser se croisent (point I).

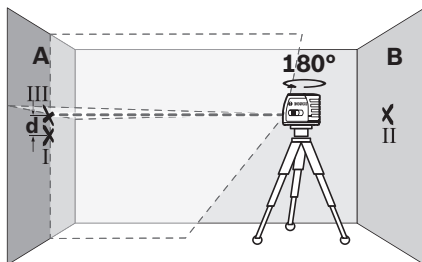


- Tournez l'appareil de mesure de 180°, laissez-le se niveler automatiquement et marquez le point de croisement des faisceaux laser sur le mur en face B (point II).

- Placez l'appareil de mesure – sans le tourner – près du mur B, mettez-le en marche et laissez-le se niveler automatiquement.



- Ajustez l'appareil de mesure en hauteur (à l'aide du trépied ou, le cas échéant, par des cales appropriées) de sorte que le point de croisement des faisceaux laser touche le point II sur le mur B tracé auparavant.



- Tournez l'appareil de mesure de 180° sans en modifier la hauteur. Dirigez-le vers mur A de sorte que la ligne laser verticale passe à travers le point I déjà marqué. Laissez l'appareil de mesure se niveler automatiquement et marquez le point de croisement des faisceaux laser sur le mur A (point III).
- L'écart **d** entre les deux points I et III marqués sur mur A indique l'écart réel de l'appareil de mesure pour la hauteur.

Pour une distance à mesurer de  $2 \times 5 \text{ m} = 10 \text{ m}$ , l'écart de précision max. admissible est de :

$$10 \text{ m} \times \pm 0,5 \text{ mm/m} = \pm 5 \text{ mm.}$$

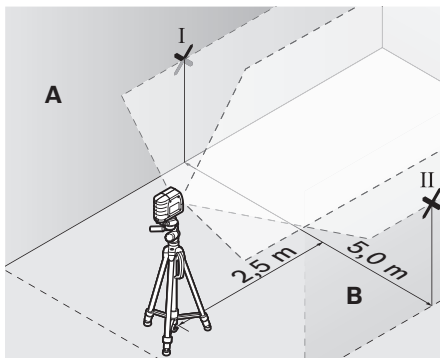
Par conséquent, la différence **d** entre les points I et III ne doit être que 5 mm max.

### 34 | Français

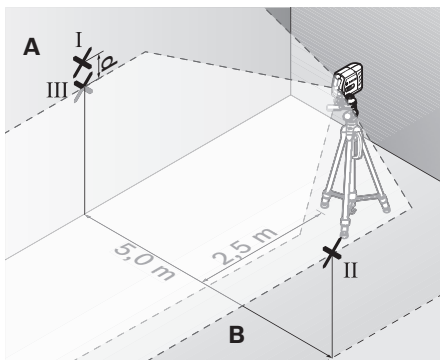
#### Contrôler la précision de nivellement de la ligne horizontale

Pour ce contrôle, on nécessite une distance dégagée de 5 x 5 m env.

- Posez l'appareil de mesure sur un support ferme et plan, au centre, à égale distance des murs A et B. Laissez l'appareil de mesure se niveler automatiquement en mode horizontal avec nivellement automatique.



- A une distance de 2,5 m de l'appareil de mesure, marquez le milieu du faisceau laser sur les deux murs (point I sur mur A et point II sur mur B).



## Français | 35

- Placez l'appareil de mesure tourné de 180° à une distance de 5 m et laissez-le se niveler automatiquement.
- Ajustez l'appareil de mesure en hauteur (à l'aide du trépied ou, le cas échéant, par des cales appropriées) de sorte que le milieu du faisceau laser touche le point II sur le mur B tracé auparavant.
- Sur mur A, marquez le milieu du faisceau laser comme point III (verticalement au-dessus ou au-dessous du point I).
- L'écart **d** entre les deux points I et III marqués sur mur A indique l'écart réel de l'appareil de mesure de l'horizontale.

Pour une distance à mesurer de  $2 \times 5 \text{ m} = 10 \text{ m}$ , l'écart de précision max. admissible est de :

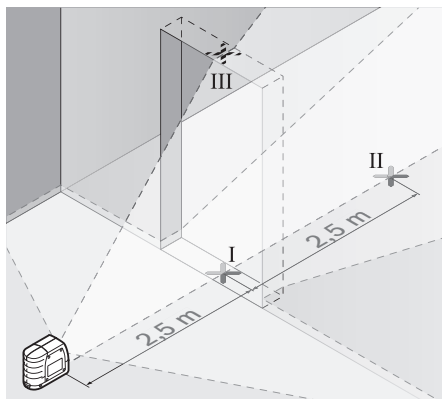
$$10 \text{ m} \times \pm 0,5 \text{ mm/m} = \pm 5 \text{ mm}.$$

Par conséquent, la différence **d** entre les points I et III ne doit être que 5 mm max.

#### Contrôler la précision de nivellement de la ligne verticale

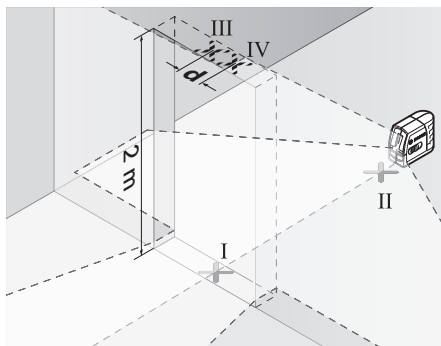
Pour ce contrôle, on nécessite un cadre de porte d'au moins 2,5 m d'entrebâillement (sur sol stable) de chaque côté de la porte.

- Posez l'appareil de mesure sur un support ferme et plan (pas sur un trépied) à 2,5 m de distance de l'ouverture de la porte. Laissez l'appareil de mesure se niveler automatiquement en mode lignes croisées avec nivellement automatique et alignez la ligne laser verticale avant avec l'ouverture de la porte.



### 36 | Français

- Marquez le milieu de la ligne laser verticale au sol à l'aplomb du cadre de porte (point I), à une distance de 5 m sur le côté opposé du cadre de porte (point II), ainsi qu'au bord supérieur du cadre de porte (point III).



- Tournez l'appareil de mesure de 180° et placez-le de l'autre côté du cadre de porte directement derrière le point II. Laissez l'appareil de mesure se niveler automatiquement et alignez la ligne laser verticale de sorte que son point médian passe exactement à travers les points I et II.
- Marquez le milieu de la ligne laser au bord supérieur du cadre de porte en tant que point IV.
- L'écart  $d$  entre les deux points marqués III et IV indique l'écart réel de l'appareil de mesure de la verticale.

L'écart maximum admissible se calcule comme suit :

double hauteur du cadre de porte x 0,5 mm/m

Exemple : Pour une hauteur du cadre de porte de 2 m, l'écart ne doit pas dépasser

$2 \times 2 \text{ m} \times 0,5 \text{ mm/m} = \pm 2 \text{ mm}$  au maximum. En conséquence, les points III et IV ne doivent pas être à plus de 2 mm l'un de l'autre.



## Instructions d'utilisation

- **Pour marquer, n'utilisez que le milieu de la ligne laser.** La largeur de la ligne laser varie en fonction de la distance.

### Montage avec embase de fixation

A l'aide de l'embase de fixation **10**, vous pouvez fixer l'appareil de mesure sur différents objets d'une épaisseur de 10 à 60 mm, par ex. sur des planches ou tuyaux verticaux ou horizontaux.

Desserrez la vis de fixation **9** de l'embase de fixation, placez la dernière sur l'endroit souhaité et resserrez la vis de fixation.

Placez l'appareil de mesure avec le raccord de trépied **11** sur la vis 1/4" **7** de l'embase de fixation et serrez-le sur l'embase en appliquant une force modérée. Ne serrez pas l'appareil de mesure trop fortement, ceci risque de l'endommager.

Mettez l'embase de fixation plus ou moins à niveau avant de mettre en marche l'appareil de mesure. Desserrez à cet effet la vis **8** de l'embase de fixation et déplacez l'appareil de mesure pour le mettre en position horizontale à la hauteur souhaitée. Resserrez la vis de blocage.

### Travailler avec le trépied

Un trépied **14** offre l'avantage d'être un support de mesure stable à hauteur réglable. Placez l'appareil de mesure avec le raccord du trépied **11** sur le filet 1/4" du trépied et serrez-le au moyen de la vis de blocage du trépied.

### Lunettes de vision du faisceau laser

Les lunettes de vision du faisceau laser filtrent la lumière ambiante. L'œil perçoit ainsi la lumière rouge du laser comme étant plus claire.

- **Ne pas utiliser les lunettes de vision du faisceau laser en tant que lunettes de protection.** Les lunettes de vision du faisceau laser servent à mieux visualiser le faisceau laser, elles ne protègent cependant pas du rayonnement laser.
- **Ne pas utiliser les lunettes de vision du faisceau laser en tant que lunettes de soleil ou en circulation routière.** Les lunettes de vision du faisceau laser ne protègent pas parfaitement contre les rayons ultra-violetes et réduisent la perception des couleurs.

## Entretien et Service Après-Vente

### Nettoyage et entretien

Maintenez l'appareil de mesure propre.

N'immergez jamais l'appareil de mesure dans l'eau ou dans d'autres liquides.

Nettoyez l'appareil à l'aide d'un chiffon doux et humide. N'utilisez pas de détergents ou de solvants.

Nettoyez régulièrement en particulier les surfaces se trouvant près de l'ouverture de sortie du laser en veillant à éliminer les poussières.

### Service Après-Vente et Assistance

Notre Service Après-Vente répond à vos questions concernant la réparation et l'entretien de votre produit et les pièces de rechange. Vous trouverez des vues éclatées ainsi que des informations concernant les pièces de rechange également sous :

**[www.bosch-pt.com](http://www.bosch-pt.com)**

Les conseillers techniques et assistants Bosch sont à votre disposition pour répondre à vos questions concernant nos produits et leurs accessoires.

Pour toute demande de renseignement ou commande de pièces de rechange, précisez-nous impérativement le numéro d'article à dix chiffres de l'appareil de mesure indiqué sur la plaque signalétique.

#### France

Passez votre commande de pièces détachées directement en ligne sur notre site [www.bosch-pt.fr](http://www.bosch-pt.fr).

Vous êtes un utilisateur, contactez :

Le Service Clientèle Bosch Outillage Electroportatif

Tel. : 0811 360122 (coût d'une communication locale)

Fax : (01) 49454767

E-Mail : [contact.outillage-electroportatif@fr.bosch.com](mailto:contact.outillage-electroportatif@fr.bosch.com)

Vous êtes un revendeur, contactez :

Robert Bosch (France) S. A. S.

Service Après-Vente Electroportatif

126, rue de Stalingrad

93705 DRANCY Cédex

Tel. : (01) 43119006

Fax : (01) 43119033

E-Mail : [sav.outillage-electroportatif@fr.bosch.com](mailto:sav.outillage-electroportatif@fr.bosch.com)

**Belgique, Luxembourg**

Tel. : +32 2 588 0589

Fax : +32 2 588 0595

E-Mail : outillage.gereedschap@be.bosch.com

**Suisse**

Passez votre commande de pièces détachées directement en ligne sur notre site [www.bosch-pt.com/ch/fr](http://www.bosch-pt.com/ch/fr).

Tel. : (044) 8471512

Fax : (044) 8471552

E-Mail : Aftersales.Service@de.bosch.com

**Autres pays**

Pour avoir des renseignements concernant la garantie, les travaux d'entretien ou de réparation ou les pièces de rechange, veuillez contacter votre détaillant spécialisé.

**Élimination des déchets**

Les appareils de mesure ainsi que leurs accessoires et emballages, doivent pouvoir suivre chacun une voie de recyclage appropriée.

Ne jetez pas les appareils de mesure et les accus/piles avec les ordures ménagères !

**Sous réserve de modifications.**



## Русский

В состав эксплуатационных документов, предусмотренных изготовителем для продукции, могут входить настоящее руководство по эксплуатации, а также приложения.

Информация о подтверждении соответствия содержится в приложении.

Информация о стране происхождения указана на корпусе изделия и в приложении.

Дата изготовления указана на последней странице обложки Руководства или на корпусе изделия.

Контактная информация относительно импортера содержится на упаковке.

### Срок службы изделия

Срок службы изделия составляет 7 лет. Не рекомендуется к эксплуатации по истечении 5 лет хранения с даты изготовления без предварительной проверки (дату изготовления см. на этикетке).

### Перечень критических отказов и ошибочные действия персонала или пользователя

- не использовать при появлении дыма непосредственно из корпуса изделия
- не использовать на открытом пространстве во время дождя (в распыляемой воде)
- не включать при попадании воды в корпус

### Критерии предельных состояний

- поврежден корпус изделия

### Тип и периодичность технического обслуживания

Рекомендуется очистить инструмент от пыли после каждого использования.

### Хранение

- необходимо хранить в сухом месте
- необходимо хранить вдали от источников повышенных температур и воздействия солнечных лучей
- при хранении необходимо избегать резкого перепада температур
- если инструмент поставляется в мягкой сумке или пластиковом кейсе рекомендуется хранить инструмент в этой защитной упаковке
- подробные требования к условиям хранения смотрите в ГОСТ 15150 (Условие 1)

### Транспортировка

- категорически не допускается падение и любые механические воздействия на упаковку при транспортировке
- при разгрузке/погрузке не допускается использование любого вида техники, работающей по принципу зажима упаковки
- подробные требования к условиям транспортировки смотрите в ГОСТ 15150 (Условие 5)

## Указания по безопасности



Для обеспечения безопасной и надежной работы с измерительным инструментом должны быть прочитаны и соблюдаться все инструкции. Использование измерительного инструмента не в соответствии с настоящими указаниями чревато повреждением интегрированных защитных механизмов. **Никогда не изменяйте до неузнаваемости предупредительные таблички на измерительном инструменте. ХОРОШО СОХРАНЯЙТЕ ЭТУ ИНСТРУКЦИЮ И ПЕРЕДАВАЙТЕ ЕЕ ВМЕСТЕ С ПЕРЕДАЧЕЙ ИЗМЕРИТЕЛЬНОГО ИНСТРУМЕНТА.**

- ▶ **Внимание** – использование других не упомянутых здесь элементов управления и регулирования или других методов эксплуатации может подвергнуть Вас опасному для здоровья излучению.

## 42 | Русский

- ▶ Измерительный инструмент поставляется с предупредительной табличкой (на странице с изображением измерительного инструмента показана под номером 13).



- ▶ Если текст предупредительной таблички не на языке Вашей страны, заклейте его перед первой эксплуатацией прилагаемой наклейкой на языке Вашей страны.



Не направляйте луч лазера на людей или животных и сами не смотрите на прямой или отражаемый луч лазера. Этот луч может слепить людей, стать причиной несчастного случая или повредить глаза.

- ▶ В случае попадания лазерного луча в глаз глаза нужно намеренно закрыть и немедленно отвернуться от луча.
- ▶ Не меняйте ничего в лазерном устройстве.
- ▶ Не применяйте лазерные очки в качестве защитных очков. Лазерные очки служат для лучшего распознавания лазерного луча, однако они не защищают от лазерного излучения.
- ▶ Не применяйте лазерные очки в качестве солнечных очков или в уличном движении. Лазерные очки не дают полной защиты от ультрафиолетового излучения и ухудшают восприятие красок.
- ▶ Ремонт Вашего измерительного инструмента поручайте только квалифицированному персоналу, используя только оригинальные запасные части. Этим обеспечивается безопасность измерительного инструмента.
- ▶ Не разрешайте детям пользоваться лазерным измерительным инструментом без надзора. Они могут неумышленно ослепить людей.
- ▶ Не работайте с измерительным инструментом во взрывоопасной среде, вблизи от горючих жидкостей, газов и пыли. В измерительном инструменте могут образоваться искры, от которых может воспламениться пыль или пары.

## Описание продукта и услуг

### Применение по назначению

Настоящий измерительный прибор предназначен для построения и контроля горизонтальных и вертикальных линий.

Измерительный инструмент пригоден исключительно для эксплуатации в закрытых помещениях.

### Изображенные составные части

Нумерация представленных составных частей выполнена по изображению измерительного инструмента на странице с иллюстрациями.

- 1 Отверстие для выхода лазерного луча
- 2 Выключатель автоматического нивелирования/рычаг блокировки маятникового механизма
- 3 Фиксатор крышки батарейного отсека
- 4 Крышка батарейного отсека
- 5 Выключатель/кнопка переключения режима
- 6 Индикатор автоматического нивелирования
- 7 Винт 1/4" держателя
- 8 Фиксирующий винт держателя
- 9 Крепежный винт держателя
- 10 Держатель
- 11 Гнездо под штатив 1/4"
- 12 Серийный номер
- 13 Предупредительная табличка лазерного излучения
- 14 Штатив\*
- 15 Очки для работы с лазерным инструментом\*

\* **Изображенные или описанные принадлежности не входят в стандартный комплект поставки.**

## 44 | Русский

**Технические данные**

Перекрестный лазер	GLL 2
Товарный №	3 601 K63 A01
Рабочий диапазон прикл. до <sup>1)</sup>	10 м
Точность нивелирования	± 0,5 мм/м
Типичный диапазон автоматического нивелирования	± 4°
Типичное время нивелирования	≤ 6 с
Рабочая температура	+ 5 °C... + 40 °C
Температура хранения	- 20 °C... + 70 °C
Относительная влажность воздуха не более	90 %
Класс лазера	2
Тип лазера	650 нм, < 1 мВт
Диаметр лазерного луча <sup>2)</sup> (при 25 °C) ок.	
– на расстоянии 3 м	2 мм
– на расстоянии 5 м	3 мм
Расхождение лазерной линии	0,5 мрад (полный угол)
Резьба для штатива	1/4"
Батарейки	2 x 1,5 В LR6 (AA)
Продолжительность работы, ок.	15 ч
Вес согласно EPTA-Procedure 01:2014	0,28 кг
Размеры (длина x ширина x высота)	77 x 63 x 84 мм

1) Рабочий диапазон может уменьшаться в результате неблагоприятных окружающих условий (например, прямые солнечные лучи).

2) Ширина лазерной линии зависит от фактуры поверхности и условий окружающей среды.

Однозначная идентификация Вашего измерительного инструмента возможна по серийному номеру **12** на заводской табличке.



## Сборка

### Установка/замена батареек

В измерительном инструменте рекомендуется использовать щелочно-марганцевые батарейки.

Чтобы открыть крышку батарейного отсека **4**, нажмите на фиксатор **3** и поднимите крышку. Вставьте батарейки. Следите за правильной полярностью в соответствии с изображением на внутренней стороне крышки секции для батареек.

Всегда заменяйте все батарейки одновременно. Применяйте только батарейки одного изготовителя и с одинаковой емкостью.

- ▶ **Если Вы не пользуетесь продолжительное время измерительным инструментом, то батарейки должны быть вынуты из инструмента.** При продолжительном хранении батарейки могут окислиться и разрядиться.

## Работа с инструментом

### Эксплуатация


- ▶ **Защищайте измерительный инструмент от влаги и прямых солнечных лучей.**
- ▶ **Не подвергайте измерительный инструмент воздействию экстремальных температур и температурных перепадов.** В частности, не оставляйте его на длительное время в машине. При больших перепадах температуры сначала дайте измерительному инструменту стабилизировать свою температуру, прежде чем начинать работать с ним. Экстремальные температуры и температурные перепады могут отрицательно влиять на точность измерительного инструмента.
- ▶ **Защищайте измерительный инструмент от сильных ударов и падений.** После сильного наружного воздействия на измерительный инструмент необходимо перед продолжением работы всегда проверять точность (см. «Точность нивелирования»).
- ▶ **При транспортировке измерительного инструмента установите выключатель автоматического нивелирования **2** в положение **Ⓔ**.** Этим блокируется маятниковый механизм, который в противном случае при резких движениях мог бы повредиться.

## 46 | Русский

**Включение/выключение**



Чтобы **включить** измерительный инструмент, нажмите на выключатель **5**. Сразу после включения измерительный инструмент начинает излучать лазерный луч из выходного отверстия **1**.

- ▶ **Не направляйте лазерный луч на людей или животных и не смотрите сами в лазерный луч, в том числе и с большого расстояния.**

Чтобы **выключить** измерительный инструмент, нажимайте на выключатель **5** до тех пор, пока индикатор автоматического нивелирования **6** не погаснет. Для блокировки маятникового механизма установите выключатель автоматического нивелирования **2** в положение .


- ▶ **Не оставляйте без присмотра включенный измерительный инструмент и выключайте его после использования.** Другие лица могут быть ослеплены лазерным лучом.

**Режимы работы**

После включения измерительный инструмент находится в режиме с автоматическим нивелированием  или в режиме без автоматического нивелирования .

Чтобы сменить режим, нажимайте на кнопку режимов работы **5** до тех пор, пока не будет настроен нужный режим.

В нижеследующей таблице представлены различные режимы работы.

Символ	Режим работы
<b>1</b> 	<b>Режим перекрестных линий</b> (см. рис. А и D): Измерительный инструмент излучает одну горизонтальную и одну вертикальную лазерную линию через отверстие для выхода лазерного луча <b>1</b> .
<b>2</b> 	<b>Горизонтальный режим</b> (см. рис. В): Измерительный инструмент излучает одну горизонтальную лазерную линию через отверстие для выхода лазерного луча <b>1</b> .
<b>3</b> 	<b>Вертикальный режим</b> (см. рис. С): Измерительный инструмент излучает одну вертикальную лазерную линию через отверстие для выхода лазерного луча <b>1</b> .



Все режимы можно включать с автоматическим нивелированием и без.

## Применение

Измерительный инструмент служит для определения и проверки горизонтальных и вертикальных линий, а также для отображения наклонных линий.

### Работа с автоматическим нивелированием

Установите измерительный инструмент на прочное горизонтальное основание или закрепите его на штативе **14** или на прилагающемся держателе.

Для работы с автоматическим нивелированием установите выключатель автоматического нивелирования **2** в положение . Индикатор автоматического нивелирования **6** светится зеленым цветом (символ /«green» [«зеленый»]).

Если автоматическое нивелирование невозможно, напр., т.к. поверхность, на которой установлен измерительный инструмент, отличается от горизонтали более чем на  $4^\circ$ , лазерные линии мигают и индикатор **6** горит красным цветом.

В таком случае установите измерительный инструмент горизонтально и обождите автоматическое самонивелирование. Как только измерительный инструмент вернется в диапазон автоматического нивелирования  $\pm 4^\circ$ , лазерные лучи будут светиться непрерывно и индикатор автоматического нивелирования **6** горит зеленым цветом.

За пределами диапазона самонивелирования в  $\pm 4^\circ$  работа с автоматическим самонивелированием невозможна, поскольку невозможно гарантировать перпендикулярность лазерных линий.

При толчках и изменениях положения во время работы измерительный инструмент автоматически производит нивелирование. После повторного нивелирования проверьте положение горизонтальной и вертикальной лазерной линии по отношению к реперным точкам для предотвращения ошибок.

## 48 | Русский

### Работа без автоматического нивелирования

Для работы в режиме без автоматического нивелирования установите выключатель автоматического нивелирования **2** в положение **0**. Индикатор автоматического нивелирования **6** горит красным цветом (символ **0**/«red» [«красный»]).

При отключенной функции автоматического нивелирования Вы можете держать измерительный инструмент свободно в руке или поставить его на пригодное основание. При этом лазерные линии не обязательно образуют перпендикуляр.

### Точность нивелирования

#### Факторы, влияющие на точность

Наибольшее влияние на точность оказывает окружающая температура. В особенности изменения температуры по мере удаления от грунта могут вызывать отклонения лазерного луча.

Поскольку самые большие температурные перепады наблюдаются рядом с поверхностью почвы, измерительный инструмент необходимо по возможности устанавливать на штатив **14** и по центру проверяемой рабочей поверхности.

Наряду с внешними воздействиями также и специфические для инструмента воздействия (как напр., падения или сильные удары) могут приводить к отклонениям. Поэтому всегда перед началом работы проверяйте точность нивелирования.

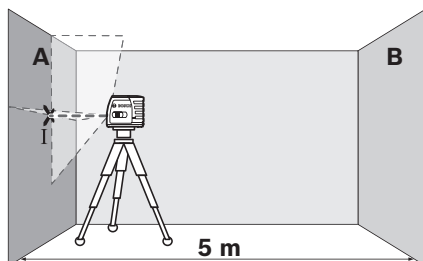
Проверяйте всегда сначала точность высоты и точность нивелирования по горизонтали, а затем точность нивелирования по вертикали.

Если во время одной из проверок измерительный инструмент превысит максимально допустимое отклонение, отдайте его в ремонт в сервисную мастерскую Bosch.

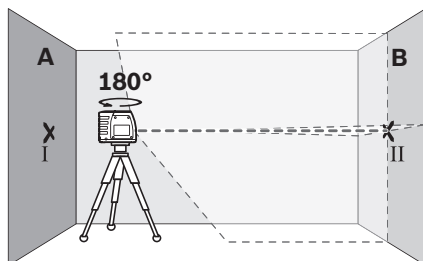
**Контроль точности высоты горизонтальной линии**

Для контроля Вам необходим свободный отрезок в 5 м на прочном грунте между стенами А и В.

- Закрепите измерительный инструмент вблизи стены А на штативе или установите его на прочное, плоское основание. Включите измерительный инструмент. Выберите режим перекрещивающихся линий с автоматическим нивелированием.

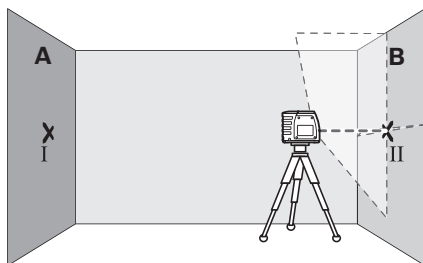


- Направьте лазер на ближнюю стену А и обождите самонивелирование инструмента. Отметьте середину точки, в которой перекрещиваются на стене лазерные линии (точка I).

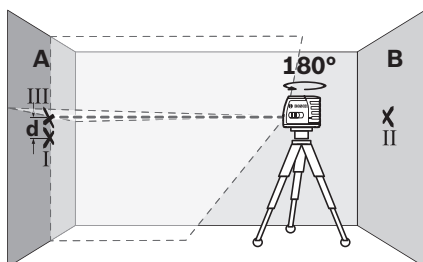


- Поверните измерительный инструмент на  $180^\circ$ , подождите, пока он не произведет самонивелирование, и отметьте точку перекрещивания лазерных линий на противоположной стене В (точка II).
- Установите измерительный инструмент – не поворачивая его – вблизи стены В, включите его и дайте ему время нивелироваться.

## 50 | Русский



- Настройте измерительный инструмент по высоте (с помощью штатива или подкладок) так, чтобы точка пересечения лазерных линий точно совпала с ранее отмеченной точкой II на стене B.



- Поверните измерительный инструмент на  $180^\circ$ , не изменяя высоты. Направьте инструмент на стену A так, чтобы вертикальная лазерная линия проходила через уже отмеченную точку I. Подождите, пока инструмент не закончит самонивелирование, и отметьте точку пересечения лазерных линий на стене A (точка III).
- Разница **d** между обеими отмеченными точками I и III на стене A является действительным отклонением по высоте измерительного инструмента.

На расстоянии  $2 \times 5 \text{ м} = 10 \text{ м}$  максимально допустимое отклонение составляет:

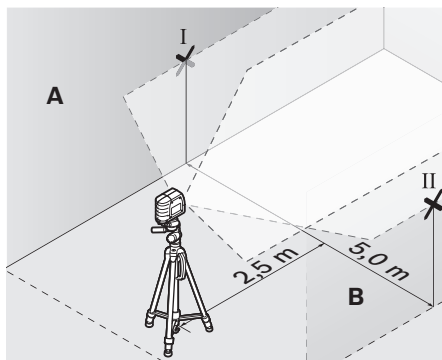
$$10 \text{ м} \times \pm 0,5 \text{ мм/м} = \pm 5 \text{ мм}.$$

Таким образом, расстояние **d** между точками I и III не должно превышать макс. 5 мм.

**Проверка точности нивелирования горизонтальной линии**

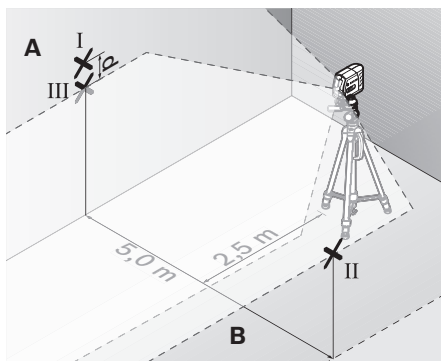
Для выполнения проверки требуется свободный участок площадью 5 x 5 м.

- Поставьте измерительный инструмент на твердое, ровное основание между стенами А и В. Дайте измерительному прибору самонивелироваться в горизонтальном режиме.



- Отметьте на расстоянии в 2,5 м от измерительного инструмента на обеих стенах середину лазерной линии (точка I на стене А и точка II на стене В).

## 52 | Русский



- Развернув измерительный инструмент на  $180^\circ$ , передвиньте его на 5 м и подождите, пока он не произведет самонивелирование.
- Настройте измерительный инструмент по высоте (с помощью штатива или подкладок) так, чтобы середина лазерной линии точно совпала с ранее отмеченной точкой II на стене В.
- Отметьте на стене А середину лазерной линии как точку III (вертикально над или под точкой I).
- Разница **d** между обеими отмеченными точками I и III на стене А является действительным отклонением по высоте измерительного инструмента.

На расстоянии  $2 \times 5 \text{ м} = 10 \text{ м}$  максимально допустимое отклонение составляет:

$10 \text{ м} \times \pm 0,5 \text{ мм/м} = \pm 5 \text{ мм}$ .

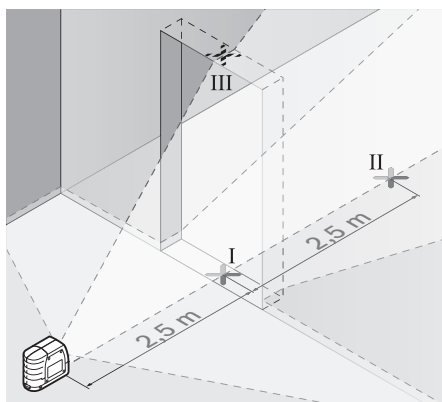
Таким образом, расстояние **d** между точками I и III не должно превышать макс. 5 мм.



**Проверка точности нивелирования вертикальной линии**

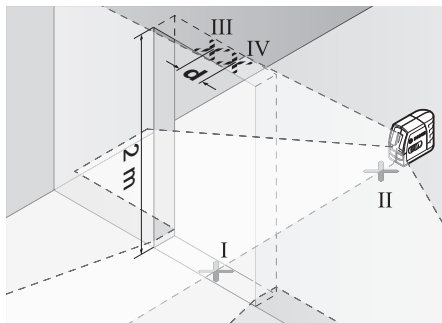
Для проверки Вам требуется проем двери, в обе стороны от которого (на прочном полу) есть свободное пространство длиной не менее 2,5 м.

- Установите измерительный инструмент на расстоянии 2,5 м от дверного проема на прочное, ровное основание (не на штатив). Дайте измерительному прибору самонивелироваться в режиме перекрестных линий и направьте переднюю вертикальную лазерную линию на дверной проем.



- Отметьте середину вертикальной линии на полу в проеме двери (точка I), на расстоянии в 5 м с другой стороны проема двери (точка II), а также по верхнему краю проема двери (точка III).

## 54 | Русский



- Поверните измерительный инструмент на  $180^\circ$  и поставьте его по другую сторону дверного проема прямо позади точки II. Дайте измерительному прибору самонивелироваться и направьте его вертикальные лазерные лучи так, чтобы их середины проходили через точки I и II.
- Пометьте середину лазерного луча на верхнем крае дверного проема как точку IV.
- Расстояние  $d$  между двумя обозначенными точками III и IV отображает фактическое отклонение измерительного инструмента от вертикали.

Максимально допустимое отклонение рассчитывается следующим образом:

двойная высота дверного проема  $\times 0,5$  мм/м

Пример: при высоте дверного проема в 2 м максимальное отклонение может составлять

$2 \times 2 \text{ м} \times \pm 0,5 \text{ мм/м} = \pm 2 \text{ мм}$ . Точки III и IV должны находиться при обоих измерениях на расстоянии максимум 2 мм друг от друга.

### Указания по применению

- ▶ **Используйте всегда только середину лазерной линии для отметки.** Ширина лазерной линии изменяется по мере удаления.

### Крепление на держателе

С помощью держателя **10** Вы можете крепить измерительный инструмент на различных предметах толщиной от 10 до 60 мм, напр., на вертикальных и горизонтальных досках или трубах.

Отпустите крепежный винт **9** держателя, установите держатель в нужное место и снова затяните крепежный винт.

Насадите измерительный инструмент гнездом под штатив **11** на винт  $1/4"$  **7** держателя и закрутите его на держателе с умеренной силой. Не закручивайте измерительный инструмент слишком туго, Вы можете его повредить.

Приблизительно выровняйте держатель перед включением измерительного инструмента. Для этого отпустите фиксирующий винт **8** держателя и установите измерительный инструмент в горизонтальное положение на необходимой высоте. Снова крепко затяните фиксирующий винт.

### Работа со штативом

Штатив **14** представляет собой прочную, изменяемую по высоте опору для измерения. Установите измерительный инструмент гнездом под штатив **11** на резьбу  $1/4"$  штатива, закрепив крепежным винтом штатива.

### Очки для работы с лазерным инструментом

Лазерные очки отфильтровывают окружающий свет. Благодаря этому красный свет лазера становится более ярким для человеческого глаза.

- ▶ **Не применяйте лазерные очки в качестве защитных очков.** Лазерные очки служат для лучшего распознавания лазерного луча, однако они не защищают от лазерного излучения.
- ▶ **Не применяйте лазерные очки в качестве солнечных очков или в уличном движении.** Лазерные очки не дают полной защиты от ультрафиолетового излучения и ухудшают восприятие красок.

## Техобслуживание и сервис

### Техобслуживание и очистка

Содержите измерительный инструмент постоянно в чистоте.

Никогда не погружайте измерительный инструмент в воду или другие жидкости.

Вытирайте загрязнения сухой и мягкой тряпкой. Не используйте никаких очищающих средств или растворителей.

Очищайте регулярно особенно поверхности у выходного отверстия лазера и следите при этом за ворсинками.

## Сервис и консультирование на предмет использования продукции

Сервисная мастерская ответит на все Ваши вопросы по ремонту и обслуживанию Вашего продукта и по запчастям. Монтажные чертежи и информацию по запчастям Вы найдете также по адресу:

**[www.bosch-pt.com](http://www.bosch-pt.com)**

Коллектив сотрудников Bosch, предоставляющий консультации на предмет использования продукции, с удовольствием ответит на все Ваши вопросы относительно нашей продукции и ее принадлежностей.

Пожалуйста, во всех запросах и заказах запчастей обязательно указывайте 10-значный товарный номер по заводской табличке измерительного инструмента.

### Для региона: Россия, Беларусь, Казахстан, Украина

Гарантийное обслуживание и ремонт электроинструмента, с соблюдением требований и норм изготовителя производятся на территории всех стран только в фирменных или авторизованных сервисных центрах «Роберт Бош».

**ПРЕДУПРЕЖДЕНИЕ!** Использование контрафактной продукции опасно в эксплуатации, может привести к ущербу для Вашего здоровья. Изготовление и распространение контрафактной продукции преследуется по Закону в административном и уголовном порядке.

### Россия

Уполномоченная изготовителем организация:

ООО «Роберт Бош»

Вашутинское шоссе, вл. 24

141400, г.Химки, Московская обл.

Россия

Тел.: 8 800 100 8007 (звонок по России бесплатный)

E-Mail: [info.powertools@ru.bosch.com](mailto:info.powertools@ru.bosch.com)

Полную и актуальную информацию о расположении сервисных центров и приёмных пунктов Вы можете получить:

- на официальном сайте [www.bosch-pt.ru](http://www.bosch-pt.ru)
- либо по телефону справочно – сервисной службы Bosch 8 800 100 8007 (звонок по России бесплатный)

**Беларусь**

ИП «Роберт Бош» ООО  
Сервисный центр по обслуживанию электроинструмента  
ул. Тимирязева, 65А-020  
220035, г. Минск  
Беларусь  
Тел.: +375 (17) 254 78 71  
Тел.: +375 (17) 254 79 16  
Факс: +375 (17) 254 78 75  
E-Mail: pt-service.by@bosch.com  
Официальный сайт: [www.bosch-pt.by](http://www.bosch-pt.by)

**Казахстан**

Центр консультирования и приема претензий  
ТОО «Роберт Бош» (Robert Bosch)  
г. Алматы,  
Республика Казахстан  
050012  
ул. Муратбаева, д. 180  
БЦ «Гермес», 7й этаж  
Тел.: +7 (727) 331 31 00  
Факс: +7 (727) 233 07 87  
E-Mail: [ptka@bosch.com](mailto:ptka@bosch.com)  
Полную и актуальную информацию о расположении сервисных центров и приемных пунктов Вы можете получить на официальном сайте:  
[www.bosch-professional.kz](http://www.bosch-professional.kz)

**Утилизация**

Отслужившие свой срок измерительные инструменты, принадлежности и упаковку следует сдавать на экологически чистую рекуперацию отходов.

Не выбрасывайте измерительные инструменты и аккумуляторные батареи/батарейки в бытовой мусор!

**Возможны изменения.**

## Українська

### Вказівки з техніки безпеки



Прочитайте всі вказівки і дотримуйтеся їх, щоб працювати з вимірювальним інструментом безпечно та надійно. Використання вимірювального інструмента без дотримання цих інструкцій може призвести до пошкодження інтегрованих захисних механізмів. Ніколи не доводьте попереджувальні таблички на вимірювальному інструменті до невпізнанності. **ДОБРЕ ЗБЕРІГАЙТЕ ЦІ ВКАЗІВКИ І ПЕРЕДАВАЙТЕ ЇХ РАЗОМ З ВИМІРЮВАЛЬНИМ ІНСТРУМЕНТОМ.**

- ▶ Обережно – використання засобів обслуговування і налаштування, що відрізняються від зазначених в цій інструкції, або використання дозволених засобів у недозволеній спосіб, може призводити до небезпечних вибухів випромінювання.
- ▶ Вимірювальний інструмент постачається з попереджувальною табличкою (на зображенні вимірювального інструменту на сторінці з малюнком вона позначена номером 13).



- ▶ Якщо текст попереджувальної таблички не на мові Вашої країни, заклейте його перед першою експлуатацією доданою наклейкою на мові Вашої країни.



**Не направляйте лазерний промінь на людей або тварин, і самі не дивіться на прямий або відображений лазерний промінь.** Він може засліпити інших людей, спричинити нещасні випадки або пошкодити очі.

- ▶ У разі потрапляння лазерного променя в око, навмисне заплющуйте очі і відразу відверніться від променя.
- ▶ Нічого не міняйте в лазерному пристрої.

- ▶ **Не використовуйте окуляри для роботи з лазером в якості захисних окулярів.** Окуляри для роботи з лазером призначені для кращого розпізнавання лазерного променя, але вони не захищають від лазерного проміння.
- ▶ **Не використовуйте окуляри для роботи з лазером для захисту від сонця і за кермом.** Окуляри для роботи з лазером не захищають повністю від УФ-проміння і погіршують розпізнавання кольорів.
- ▶ **Віддавайте свій вимірювальний прилад на ремонт лише кваліфікованим фахівцям та лише з використанням оригінальних запчастин.** Тільки за таких умов Ваш вимірювальний прилад і надалі буде залишатися безпечним.
- ▶ **Не дозволяйте дітям користуватися без нагляду лазерним вимірювальним приладом.** Вони можуть ненавмисне засліпити інших людей.
- ▶ **Не працюйте з вимірювальним приладом у середовищі, де існує небезпека вибуху внаслідок присутності горючих рідин, газів або пилу.** У вимірювальному приладі можуть утворюватися іскри, від яких може займатися пил або пари.

## Опис продукту і послуг

### Призначення

Вимірювальний прилад призначений для визначення і перевірення горизонтальних і вертикальних ліній.

Вимірювальний прилад придатний для експлуатації виключно в приміщенні.

### Зображені компоненти

Нумерація зображених компонентів посилається на зображення вимірювального приладу на сторінці з малюнком.

- 1 Вихідний отвір для лазерного променя
- 2 Вимикач автоматичного нівелювання/важіль блокування маятникового вузла
- 3 Фіксатор секції для батарейок
- 4 Кришка секції для батарейок
- 5 Вимикач/кнопка перемикання режиму роботи
- 6 Індикатор автоматичного нівелювання

**60** | Українська

- 7** Гвинт 1/4" кріплення
- 8** Фіксуючий гвинт кріплення
- 9** Кріпильний гвинт кріплення
- 10** Кріплення
- 11** Гніздо під штатив 1/4"
- 12** Серійний номер
- 13** Попереджувальна табличка для роботи з лазером
- 14** Штатив\*
- 15** Окуляри для роботи з лазером\*

\* **Зображене чи описане приладдя не належить до стандартного обсягу поставки.**

**Технічні дані**

Перехресний лазер	GLL 2
Товарний номер	3 601 K63 A01
Робочий діапазон при бл. до <sup>1)</sup>	10 м
Точність нівелювання	± 0,5 мм/м
Діапазон автоматичного нівелювання, типовий	± 4°
Тривалість нівелювання, типова	≤ 6 с
Робоча температура	+ 5 °C... + 40 °C
Температура зберігання	- 20 °C... + 70 °C
Відносна вологість повітря макс.	90 %
Клас лазера	2
Тип лазера	650 нм, < 1 мВт
Діаметр лазерного променя <sup>2)</sup> (при 25 °C) при бл.	
– на відстані 3 м	2 мм
– на відстані 5 м	3 мм
Розбіжність лазерної лінії	0,5 мрад (повний кут)

1) Робочий діапазон може зменшуватися внаслідок несприятливих умов (напр., прямі сонячні промені).

2) Ширина лазерної лінії залежить від фактури поверхні й від умов навколишнього середовища.

Для точної ідентифікації вимірювального приладу на заводській табличці позначений серійний номер **12**.



Українська | 61

Перехресний лазер	GLL 2
Гніздо під штатив	1/4"
Батарейки	2 x 1,5 В LR6 (AA)
Робочий ресурс, прибл.	15 год.
Вага відповідно до EPTA-Procedure 01:2014	0,28 кг
Розміри (довжина x ширина x висота)	77 x 63 x 84 мм

1) Робочий діапазон може зменшуватися внаслідок несприятливих умов (напр., прямі сонячні промені).

2) Ширина лазерної лінії залежить від фактури поверхні й від умов навколишнього середовища.

Для точної ідентифікації вимірювального приладу на заводській табличці позначений серійний номер **12**.

## Монтаж

### Вставлення/заміна батарейок

Для вимірювального приладу рекомендується використовувати виключно лужно-марганцеві батареї.

Щоб відкрити кришку секції для батарейок **4**, натисніть на фіксатор **3** і підніміть кришку. Встроміть батарейки. Слідкуйте при цьому за правильним розташуванням полюсів, як це показано з внутрішнього боку кришки секції для батарейок.

Завжди міняйте одночасно всі батарейки. Використовуйте лише батарейки одного виробника і однакової ємності.

- ▶ **Виймайте батарейки, якщо Ви тривалий час не будете користуватися вимірювальним приладом.** При тривалому зберіганні батарейки можуть кородувати і саморозряджатися.


## Експлуатація

### Початок роботи

- ▶ **Захищайте вимірювальний прилад від вологи і сонячних променів.**
- ▶ **Не допускайте впливу на вимірювальний прилад екстремальних температур та температурних перепадів.** Зокрема, не залишайте його на тривалий час в машині. Якщо вимірювальний

## 62 | Українська


прилад зазнав впливу перепаду температур, перш ніж вмикати його, дайте йому стабілізувати свою температуру. Екстремальні температури та температурні перепади можуть погіршувати точність вимірювального приладу.

- ▶ **Уникайте сильних поштовхів та падіння вимірювального приладу.** Після сильних зовнішніх дій на вимірювальний прилад перед подальшою роботою з приладом обов'язково перевірте точність роботи приладу (див. «Точність нівелювання»).
- ▶ **Для транспортування вимірювального приладу встановіть вимикач автоматичного нівелювання 2 у положення ** Цим блокується маятниковий вузол, який в іншому випадку може пошкодитися при різких поштовхах.

### Вмикання/вимикання



Щоб **увімкнути** вимірювальний інструмент, натисніть на вимикач 5. Відразу після вмикання вимірювальний інструмент випромінює лазерний промінь з вихідного отвору 1.

- ▶ **Не спрямовуйте лазерний промінь на людей і тварин і не дивіться у лазерний промінь, включаючи і з великої відстані.**

Щоб **увімкнути** вимірювальний інструмент, натискайте на вимикач 5 до тих пір, поки індикатор автоматичного нівелювання 6 не погасне. Для блокування маятникового вузла встановіть вимикач автоматичного нівелювання 2 в положення .




- ▶ **Не залишайте увімкнутий вимірювальний прилад без догляду, після закінчення роботи вимикайте вимірювальний прилад.** Інші особи можуть бути засліплені лазерним променем.

### Режими роботи

Після увімкнення вимірювальний інструмент знаходиться в режимі з автоматичним нівелюванням  або в режимі без автоматичного нівелювання .

Щоб змінити вид ліній, натискайте на кнопку перемикач режиму роботи 5 до тих пір, поки не буде встановлений необхідний режим.

В таблиці нижче представлені різні режими роботи.

Символ	Режим
	<b>Режим перехресних ліній</b> (див. мал. А і D): Вимірювальний інструмент випромінює одну горизонтальну і одну вертикальну лазерну лінію з вихідного отвору для лазерного променя <b>1</b> .
	<b>Горизонтальний режим</b> (див. мал. В): Вимірювальний інструмент випромінює одну горизонтальну лазерну лінію з вихідного отвору для лазерного променя <b>1</b> .
	<b>Вертикальний режим</b> (див. мал. С): Вимірювальний інструмент випромінює одну вертикальну лазерну лінію з вихідного отвору для лазерного променя <b>1</b> .



Всі режими роботи можна вмикати з автоматичним нівелюванням і без.

## Застосування

Вимірювальний інструмент слугує для визначення і перевірки горизонтальних і вертикальних ліній, а також для відображення нахилених ліній.

### Робота у режимі автоматичного нівелювання

Встановіть вимірювальний інструмент на тверду горизонтальну поверхню або закріпіть його на штативі **14** або на кріпленні, що додається.

Для роботи з автоматичним нівелюванням встановіть вимикач автоматичного нівелювання **2** в положення . Індикатор автоматичного нівелювання **6** світитиметься зеленим кольором (символ /«green» [«зелений»]).

Якщо автоматичне нівелювання неможливе, напр., якщо поверхня, на якій стоїть вимірювальний інструмент, нахилена більш ніж на 4°, лазерні лінії мигають і індикатор **6** світитиметься червоним кольором.

У такому разі встановіть вимірювальний інструмент в горизонтальне положення і зачекайте, поки не буде здійснено автоматичне самонівелювання. Тільки-но вимірювальний інструмент буде знаходитися в діапазоні автоматичного нівелювання  $\pm 4^\circ$ , лазерні лінії безперервно світитимуться і індикатор автоматичного нівелювання **6** світитиметься зеленим кольором.

## 64 | Українська

За межами діапазону автоматичного нівелювання  $\pm 4^\circ$  працювати з автоматичним нівелюванням не можливо, оскільки не можна забезпечити перпендикулярність лазерних ліній між собою.

При струсах та змінах положення протягом експлуатації вимірювальний прилад знову автоматично нівелюється. Після повторного нівелювання, щоб запобігти помилкам, перевірте положення горизонтальної чи вертикальної лазерної лінії відносно до базових точок.

### Робота без автоматичного нівелювання

Для роботи в режимі без автоматичного нівелювання встановіть вимикач автоматичного нівелювання **2** в положення **6**. Індикатор автоматичного нівелювання **6** світитиметься червоним кольором (символ **6**/«red»).

При вимкненому автоматичному нівелюванні вимірювальний прилад можна тримати вільно в руці або поставити на похилу поверхню. Лазерні лінії не обов'язково знаходяться перпендикулярно одна до одної.

### Точність нівелювання

#### Фактори, що впливають на точність

Найбільший вплив справляє температура зовнішнього середовища. Особливо температурні коливання, що спостерігаються в міру віддалення від ґрунту, можуть спричинити відхилення лазерного променя. Оскільки температурні коливання є найбільшими поблизу ґрунту, по можливості монтуйте вимірювальний інструмент на штативі **14** і встановіть його посередині робочої ділянки.

Поряд із зовнішніми умовами також і специфічні для інструменту умови (напр., струси або сильні удари) можуть призводити до відхилень. З цієї причини кожного разу перед початком роботи перевіряйте точність нівелювання.

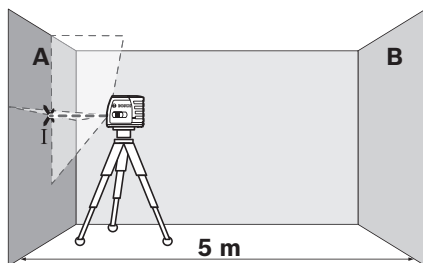
Перевіряйте спочатку точність висоти і нівелювання горизонтальної лазерної лінії і потім точність нівелювання вертикальної лазерної лінії.

Якщо при одній з перевірок вимірювальний прилад перевищить максимально допустиме відхилення, його треба віднести в майстерню Bosch для перевірки.

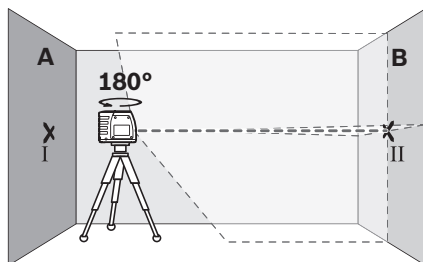
**Перевірка точності горизонтальної лінії по висоті**

Для перевірки Вам на твердому ґрунті потрібна вільна вимірювальна ділянка довжиною 5 м між двома стінами А і В.

- Встановіть вимірювальний прилад коло стіни А на штатив або встановіть його на тверду, рівну поверхню. Увімкніть вимірювальний прилад. Увімкніть режим роботи з перехресними лініями з автоматичним нівелюванням.

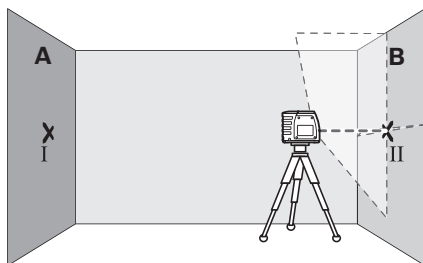


- Спрямуйте лазер на ближчу стіну А та дайте йому нівелюватися. Позначте середину точки, в якій лазерні лінії перехресяться на стіні (точка I).

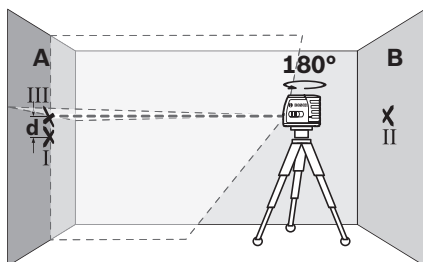


- Поверніть вимірювальний прилад на  $180^\circ$ , дайте йому нівелюватися і позначте точку, в якій лазерні лінії перехресяться на протилежній стіні В (точка II).
- Розташуйте вимірювальний прилад, не повертаючи його, коло стіни В, увімкніть його та дайте йому нівелюватися.

## 66 | Українська



- Вирівняйте вимірювальний прилад по висоті таким чином (за допомогою штатива або підмостивши що-небудь під нього), щоб точка, в якій перехрещуються лазерні лінії, точно попадала на позначену раніше точку II на стіні B.



- Поверніть вимірювальний прилад на  $180^\circ$ , не змінюючи його висоти. Спрямуйте його на стіну A таким чином, щоб вертикальна лазерна лінія проходила через раніше позначену точку I. Дайте вимірювальному приладу нівелюватися і позначте точку на стіні A, в якій перехрещуються лазерні лінії (точка III).
- Відстань **d** між двома позначеними на стіні A точками I і III – це фактичне відхилення вимірювального приладу по висоті.

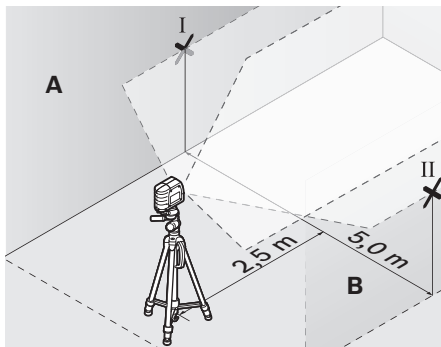
На відстані  $2 \times 5 \text{ м} = 10 \text{ м}$  допускається розбіжність максимум:  
 $10 \text{ м} \times \pm 0,5 \text{ мм/м} = \pm 5 \text{ мм}$ .

Тобто різниця **d** між точками I і III не повинна перебільшувати 5 мм.

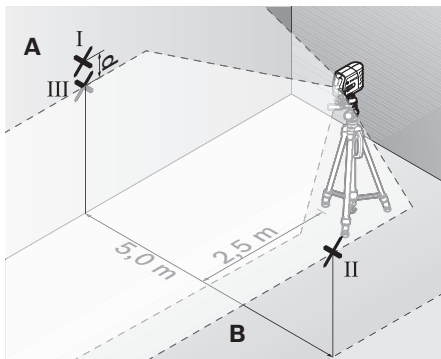
**Перевірка точності нівелювання горизонтальної лінії**

Для перевірки Вам потрібна вільна ділянка прибіл. 5 x 5 м.

- Встановіть вимірювальний інструмент на тверду, рівну поверхню посередині між стінами А і В. Дайте вимірювальному інструменту автоматично нівелюватися в горизонтальному режимі.



- Позначте на обох стінах на відстані 2,5 м від вимірювального приладу середину лазерної лінії (точка I на стіні А і точка II на стіні В).



- Переставте вимірювальний прилад розвернутим на 180° на 5 м і дайте йому нівелюватися.

**68 | Українська**

- Вирівняйте вимірювальний прилад по висоті таким чином (за допомогою штатива або підмостивши що-небудь під нього), щоб середина лазерної лінії точно попадала на позначену раніше точку II на стіні B.
- Позначте на стіні A середину лазерної лінії як точку III (вертикально над точкою I або під нею).
- Відстань **d** між двома позначеними на стіні A точками I і III – це фактичне відхилення вимірювального приладу від горизонталі.

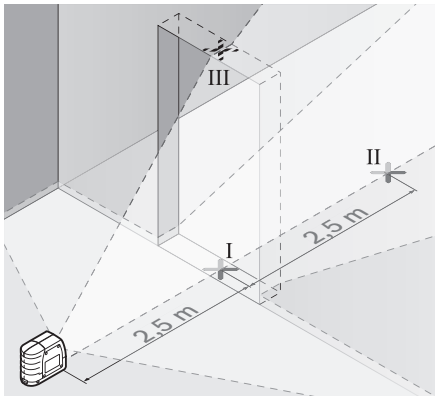
На відстані  $2 \times 5 \text{ м} = 10 \text{ м}$  допускається розбіжність максимум:  
 $10 \text{ м} \times \pm 0,5 \text{ мм/м} = \pm 5 \text{ мм}$ .

Тобто різниця **d** між точками I і III не повинна перебільшувати 5 мм.

**Перевірка точності нівелювання вертикальної лінії**

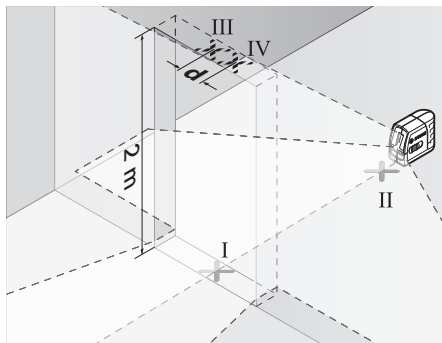
Для перевірки Вам потрібний дверний проріз, в якому з обох боків від дверей є мін. 2,5 м (на твердому ґрунті).

- Встановіть вимірювальний інструмент на відстані 2,5 м від дверного прорізу на тверду, рівну поверхню (не на штатив). Дайте вимірювальному інструменту автоматично нівелюватися в режимі перехресних ліній і направте передню вертикальну лазерну лінію на дверний проріз.



- Позначте середину вертикальної лазерної лінії на підлозі у дверному прорізі (точка I), на відстані 5 м з іншого боку дверного прорізу (точка II), а також з верхнього краю дверного прорізу (точка III).





- Поверніть вимірювальний прилад на  $180^\circ$  і поставте його з іншого боку дверного прорізу прямо поза точкою II. Дайте вимірювальному приладу нівелюватися і спрямуйте вертикальну лазерну лінію таким чином, щоб її середина проходила точно через точку I і II.
- Позначте середину лазерної лінії на верхньому краї дверного прорізу в якості точки IV.
- Різниця **d** між двома позначеними точками III і IV – це фактичне відхилення вимірювального приладу від вертикалі.

Підрахуйте максимально допустиме відхилення наступним чином:  
 подвійна висота дверного прорізу  $\times 0,5$  мм/м

Приклад: При висоті дверного прорізу в 2 м максимальне відхилення повинно складати

$2 \times 2 \text{ м} \times \pm 0,5 \text{ мм/м} = \pm 2 \text{ мм}$ . Точки III і IV повинні, таким чином, знаходитись при обох вимірюваннях на максимальній відстані в 2 мм одна від одної.

## 70 | Українська

### Вказівки щодо роботи

- **Для позначення завжди використовуйте середину лазерної лінії.** Ширина лазерної лінії міняється в залежності від відстані.

#### Монтаж на кріпленні

За допомогою кріплення **10** вимірювальний інструмент можна закріплювати на різних предметах товщиною від 10 до 60 мм, напр., на вертикальних або горизонтальних дошках або трубах.

Відпустіть кріпильний гвинт **9** кріплення, приставте кріплення в необхідному місці та знову затягніть кріпильний гвинт.

Насадіть вимірювальний інструмент гніздом під штатив **11** на гвинт  $1/4"$  **7** кріплення і закрутіть його на кріпленні з помірною силою. Не закручуйте вимірювальний інструмент занадто сильно, Ви можете його пошкодити.

Грубо вирівняйте кріплення, перш ніж вмикати вимірювальний інструмент. Для цього відпустіть фіксуючий гвинт **8** кріплення і перемістіть вимірювальний інструмент в горизонтальне положення на необхідній висоті. Знову міцно закрутіть фіксуючий гвинт.

#### Робота зі штативом

Штатив **14** забезпечує стабільну підставку для вимірювання, висоту якої можна регулювати. Поставте вимірювальний прилад гніздом під штатив **11** на різьбу  $1/4"$  штатива і затисніть його фіксуючим гвинтом штатива.

#### Окуляри для роботи з лазером

Окуляри для роботи з лазером відфільтровують світло зовнішнього середовища. Завдяки цьому червоне світло лазера здається для очей світлішим.

- **Не використовуйте окуляри для роботи з лазером в якості захисних окулярів.** Окуляри для роботи з лазером призначені для кращого розпізнавання лазерного променя, але вони не захищають від лазерного проміння.
- **Не використовуйте окуляри для роботи з лазером для захисту від сонця і за кермом.** Окуляри для роботи з лазером не захищають повністю від УФ-проміння і погіршують розпізнавання кольорів.

## Технічне обслуговування і сервіс

### Технічне обслуговування і очищення

Завжди тримайте вимірювальний прилад в чистоті.

Не занурюйте вимірювальний прилад у воду або інші рідини.

Витирайте забруднення вологою м'якою ганчіркою. Не користуйтеся мийними засобами і розчинниками.

Зокрема, регулярно прочищайте поверхні коло вихідного отвору лазера і слідкуйте при цьому за тим, щоб не залишалося ворсинок.

### Сервіс та надання консультацій щодо використання продукції

Сервісна майстерня відповідь на запитання стосовно ремонту і технічного обслуговування Вашого виробу. Малюнки в деталях і інформацію щодо запчастин можна знайти за адресою:

**[www.bosch-pt.com](http://www.bosch-pt.com)**

Команда співробітників Bosch з надання консультацій щодо використання продукції із задоволенням відповідь на Ваші запитання стосовно нашої продукції та приладдя до неї.

При будь-яких запитаннях і замовленні запчастин, будь ласка, обов'язково зазначайте 10-значний товарний номер, що знаходиться на заводській табличці вимірювального приладу.

Гарантійне обслуговування і ремонт електроінструменту здійснюються відповідно до вимог і норм виготовлювача на території всіх країн лише у фірмових або авторизованих сервісних центрах фірми «Роберт Бош».

**ПОПЕРЕДЖЕННЯ!** Використання контрафактної продукції небезпечне в експлуатації і може мати негативні наслідки для здоров'я. Виготовлення і розповсюдження контрафактної продукції переслідується за Законом в адміністративному і кримінальному порядку.

## 72 | Українська

### Україна

ТОВ «Роберт Бош»

Сервісний центр електроінструментів

вул. Крайня, 1, 02660, Київ-60

Україна

Тел.: (044) 4 90 24 07 (багатоканальний)

E-Mail: [pt-service.ua@bosch.com](mailto:pt-service.ua@bosch.com)

Офіційний сайт: [www.bosch-powertools.com.ua](http://www.bosch-powertools.com.ua)

Адреса Регіональних гарантійних сервісних майстерень зазначена в Національному гарантійному талоні.

### Утилізація

Вимірювальні прилади, приладдя і упаковку треба здавати на екологічно чисту повторну переробку.

Не викидайте вимірювальні інструменти та акумуляторні батареї/батареї в побутове сміття!

### Можливі зміни.

## Қазақша

Өндірушінің өнім үшін қарастырған пайдалану құжаттарының құрамында пайдалану жөніндегі осы нұсқаулық, сонымен бірге қосымшалар да болуы мүмкін.

Сәйкестікті растау жайлы ақпарат қосымшада бар.

Өнімді өндірген мемлекет туралы ақпарат өнімнің корпусында және қосымшада көрсетілген.

Өндірілген мерзімі Нұсқаулық мұқабасының соңғы бетінде және өнім корпусында көрсетілген.

Импорттаушы контактік мәліметін орамада табу мүмкін.

### Өнімді пайдалану мерзімі

Өнімнің қызмет ету мерзімі 7 жыл. Өндірілген мерзімнен бастап (өндіру күні зауыт тақтайшасында жазылған) істетпей 5 жыл сақтағаннан соң, өнімді тексерусіз (сервистік тексеру) пайдалану ұсынылмайды.

### Қызметкер немесе пайдаланушының қателіктері мен істен шығу себептерінің тізімі

- өнім корпусынан тікелей түтін шықса, пайдаланбаңыз
- жауын –шашын кезінде сыртта (далада) пайдаланбаңыз
- корпус ішіне су кірсе құрылғыны қосушы болмаңыз

### Шекті күй белгілері

- өнім корпусының зақымдалуы

### Қызмет көрсету түрі мен жиілігі

Әр пайдаланудан соң өнімді тазалау ұсынылады.

### Сақтау

- құрғақ жерде сақтау керек
- жоғары температура көзінен және күн сәулелерінің әсерінен алыс сақтау керек
- сақтау кезінде температураның кенет ауытқуынан қорғау керек
- егер құрал жұмсақ сөмке немесе пластик кейсте жеткізілсе оны осы өзінің қорғағыш қабында сақтау ұсынылады
- сақтау шарттары туралы қосымша ақпарат алу үшін MEMCT 15150 (Шарт 1) құжатын қараңыз

## 74 | Қазақша

### Тасымалдау

- тасымалдау кезінде өнімді құлатуға және кез келген механикалық ықпал етуге қатаң тыйым салынады
- босату/жүктеу кезінде пакетті қысатын машиналарды пайдалануға рұқсат берілмейді.
- тасымалдау шарттары талаптарын MEMCT 15150 (5 шарт) құжатын оқыңыз.

## Қауіпсіздік нұсқаулары



Өлшеу құралын қауіпсіз және сенімді пайдалану үшін барлық нұсқауларды мұқият оқып, жұмыс барысында ескеріңіз. Өлшеу құралын осы нұсқауларға сай пайдаланбау өлшеу құралындағы кірістірілген қауіпсіздік шараларына жағымсыз әсер етеді. Өлшеу құралындағы ескертулерді көрінбейтін қылмаңыз. **ОСЫ НҰСҚАУЛАРДЫ САҚТАП, ӨЛШЕУ ҚҰРАЛЫН БАСҚАЛАРҒА БЕРГЕНДЕ ОЛАРДЫ ҚОСА ҰСЫНЫҢЫЗ.**

әсер етеді. Өлшеу құралындағы ескертулерді көрінбейтін қылмаңыз. **ОСЫ НҰСҚАУЛАРДЫ САҚТАП, ӨЛШЕУ ҚҰРАЛЫН БАСҚАЛАРҒА БЕРГЕНДЕ ОЛАРДЫ ҚОСА ҰСЫНЫҢЫЗ.**

- ▶ Абай болыңыз – егер осы жерде берілген пайдалану немесе түзету құралдарынан басқа құралдан пайдаланса немесе басқа жұмыс әдістері орындалса бұл қауіпті сәулеге шалынуға алып келуі мүмкін.
- ▶ Өлшеу құралы ескерту тақтасымен жабдықталған (өлшеу құралының суретінде графика бетінде 13 нөмірімен белгіленген).



- ▶ Егер ескерту жапсырмасы сіздің еліңіз тіліде болмаса, алғашқы пайдаланудан алдын оның орнына сіздің еліңіз тілінде болған жапсырманы жабыстырыңыз.



**Лазер сәулесін адам немесе жануарларға бағытламаңыз және өзіңіз де тікелей немесе шағылған лазер сәулесіне қарамаңыз.** Осылай адамдардың көзін шағылдыруы мүмкін, сәтсіз оқиғаларға алып келуі және көзді зақымдауы мүмкін.

- ▶ **Егер лазер сәулесі көзге түссе көздерді жұмып басты сәуледен ары қарату керек.**
- ▶ **Лазер құрылығысында ешқандай өзгертуды орындамаңыз.**
- ▶ **Лазер көру көзілдірігін қорғаныш көзілдірігі ретінде пайдаланбаңыз.** Лазер көру көзілдірігі лазер сәулесін жақсырақ көру үшін қызмет жасайды, бірақ ол лазер сәулесінен қорғайды.
- ▶ **Лазер көру көзілдірігін күн көзілдірігі ретінде немесе жол қозғалысында пайдаланбаңыз.** Лазер көрі көзілдірігі ультракүлгін сәулелерінен толық қорғайтын рең көру қабілетін азайтады.
- ▶ **Өлшеу құралын тек білікті маманға және арнаулы бөлшектермен жөндетіңіз.** Сол арқылы өлшеу құрал қауіпсіздігін сақтайсыз.
- ▶ **Балалар лазер өлшеу құралын бақылаусыз пайдаланбасын.** Олар білмей адамдардың көзін шағылыстыру мүмкін.
- ▶ **Жанатын сұйықтықтар, газдар немесе шаң жиылған жарылыс қаупі бар ортада өлшеу құралын пайдаланбаңыз.** Өлшеу құралы ұшқын шығарып, шаңды жандырып, өрт тудыруы мүмкін.

## Өнім және қызмет сипаттамасы

### Тағайындалу бойынша қолдану

Өлшеу құралы көлденең және тік сызықтарды өлшеу және тексеруге арналған.

Өлшеу құралы тек жабық жұмыс жайларында пайдалануға ғана арналған.

**76 | Қазақша****Бейнеленген құрамды бөлшектер**

Көрсетілген құрамдастар нөмірі суреттер бар беттегі өлшеу құралының сипаттамасына қатысты.

- 1 Лазер сәулесінің шығыс тесігі
- 2 Нивелирлеу автоматикасы қосқышы/тербелу блогының бұғатталуы
- 3 Батарея бөлімі қақпағының құлпы
- 4 Батарея бөлімі қақпағы
- 5 Қосу-өшіру түймесі/Әдіс түймесі
- 6 Нивелирлеу автоматикасы көрсеткіші
- 7 Ұстағыштың 1/4"-бұрандасы
- 8 Ұстағыштың бекіту бұрандасы
- 9 Ұстағыштың бекіту бұрандасы
- 10 Ұстағыш
- 11 Штатив патроны 1/4"
- 12 Сериялық нөмір
- 13 Лазер ескерту тақтасы
- 14 Таған\*
- 15 Лазер көру көзілдірігі\*

\*Бейнеленген немесе сипатталған жабдықтар стандартты жеткізу көлемімен қамтылмайды.

**Техникалық мәліметтер**

Айқыш-ұйқыш сызық	GLL 2
Өнім нөмірі	3 601 K63 A01
Жұмыс аймағы шам. <sup>1)</sup>	10 м
Нивелирлеу дәлдігі	± 0,5 мм/м
Әдеттегі өз нивелирлеу аймағы	± 4°

1) Жұмыс аймағын қолайсыз қоршау шарттарында (мысалы тікелей күн сәулелерінде) қысқарту мүмкін.

2) Лазер сызығының ені беттің сапасына және қоршау шарттарына байланысты.

Өлшеу құралының зауыттық тақтайшадағы сериялық нөмірі **12** оны дұрыс анықтауға көмектеседі.



## Қазақша | 77

Айқыш-ұйқыш сызық	GLL 2
Әдеттегі нивелирлеу уақыты	≤6 с
Жұмыс температурасы	+ 5 °C ... + 40 °C
Сақтау температурасы	- 20 °C ... + 70 °C
Салыстырмалы ауа ылғалдығы макс.	90 %
Лазер сыныпы	2
Лазер түрі	650 нм, < 1 мВт
Лазер сәулесінің <sup>2)</sup> диаметрі (25 °C) шам.	
– қашықтығы 3 м болғанда	2 мм
– қашықтығы 5 м болғанда	3 мм
Лазер сызығының айырмашылығы	0,5 мрад (толық бұрыш)
Штатив патроны	1/4"
Батареялар	2 x 1,5 В LR6 (AA)
Пайдалану ұзақтығы шам.	15 с
ЕРТА-Procedure 01:2014 құжатына сай салмағы	0,28 кг
Өлшемдері (ұзындығы x ені x биіктігі)	77 x 63 x 84 мм

1) Жұмыс аймағын қолайсыз қоршау шарттарында (мысалы тікелей күн сәулелерінде) қысқарту мүмкін.

2) Лазер сызығының ені беттің сапасына және қоршау шарттарына байланысты.

Өлшеу құралының зауыттық тақтайшадағы сериялық нөмірі **12** оны дұрыс анықтауға көмектеседі.

## Жинау

### Батареяларды салу/алмастыру

Өлшеу құралы үшін алкалин марганец батареясын пайдалану ұсынылады.

Батарея бөлімінің қақпағын **4** ашу үшін құлпын **3** басып, батарея бөлімінің қақпағын ашыңыз. Батареяны салыңыз. Батарея бөлімінің қақпағының ішіндегі суретте көрсетілгендей полюстардың дұрыс орналасуын қамтамасыз етіңіз.


## 78 | Қазақша

Барлық батареяларды бірдей алмастырыңыз. Тек бір өндірушінің және қуаты бірдей батареяларды пайдаланыңыз.

- ▶ **Егер ұзақ уақыт пайдаланбасаңыз батареяны өлшеу құралынан алып қойыңыз.** Ұзақ уақыт жатқан батареяларды тот басуы және зарядын жоғалтуы мүмкін.

## Пайдалану


### Пайдалануға ендіру

- ▶ **Өлшеу құралын сыздан және тікелей күн сәулелерінен сақтаңыз.**
- ▶ **Өлшеу құралына айрықша температура немесе температура тербелулері әсер етпеуі тиіс.** Оны мысалы автокөлікте ұзақ уақыт қалдырмаңыз. Үлкен температура тербелулері жағдайында алдымен өлшеу құралын температурасын дұрыстап соң пайдаланыңыз. Айрықша температура немесе температура тербелулері кезінде өлшеу құралының дәлдігі төменделуі мүмкін.
- ▶ **Өлшеу құралын қатты соққыдан немесе құлаудан сақтаңыз.** Сыртқы күшті әсерлерден кейін өлшеу құралының жұмысын жалғастырудан алдын әрдайым дәлдігін тексеруді орындау керек ("Нивелирлеу дәлдігі" тарауын қараңыз).
- ▶ **Өлшеу құралын тасымалдаған кезде 2 нивелирлеу автоматикасының қосқышын  күйіне келтіріңіз.** Осында тербелу блогы бұғатталады, әйтпесе ол қатты әрекеттерде зақымдалуы мүмкін.

### Қосу/өшіру



Өлшеу құралын **қосу** үшін қосу-өшіру пернесін **5** басыңыз. Өлшеу құралы қосудан соң бірден екі лазер сәулесін **1** шығыс тесіктерінен жібереді.

- ▶ **Лазер сәулесін адамдарға немесе жануарларға бағыттамаңыз және тіпті алыстан болсын жарық сәулесіне өзіңіз қарамаңыз.**

Өлшеу құралын **өшіру** үшін **5** қосу-өшіру пернесін **6** нивелирлеу автоматикасының индикаторы өшкенше басыңыз. **2** нивелирлеу автоматикасының қосқышын  күйіне келтіріп, тербелу блогын бұғаттаңыз.




- ▶ **Қосулы зарядтау құралын бақылаусыз қалдырмаңыз және өлшеу құралын пайдаланудан соң өшіріңіз.** Лазер сәулесімен адамдардың көзін шағылыстыру мүмкін.

## Пайдалану түрлері

Қосудан соң өлшеу құралы нивелирлеу автоматикалық пайдалану түрінде болады  немесе  нивелирлеу автоматикасынсыз жұмыс түрінде.

Сызық түрін ауыстыру үшін **5** әдістер пернесін керекті әдіс реттелгенше басыңыз.

Төмендегі кестеде түрлі жұмыс әдістері көрсетілген.

Белгі	Режим
	<b>Сызықтардың қиылысу режимі</b> (A мен D суреттерін қараңыз): Өлшеу құралы лазер шығу тесігінен көлденең және тік лазер сызықтарын шығарады <b>1</b> .
	<b>Горизонталды режим</b> (B суретін қараңыз): Өлшеу құралы лазер шығу тесігінен көлденең лазер сызығын шығарады <b>1</b> .
	<b>Вертикалды режим</b> (C суретін қараңыз): Өлшеу құралы лазер шығу тесігінен тік лазер сызығын шығарады <b>1</b> .



Барлық әдістерді осылай нивелирлеу автоматикасынсыз да таңдауға болады.

## Пайдалану

Өлшеу құралы көлденең және тік сызықтарды есептеу мен тексеруге, қисайған сызықтарды көрсетуге арналған.

### Нивелирлеу автоматикасымен жұмыс істеу

Өлшеу құралын көлденең жылжымайтын табанға қойыңыз немесе штативте **14** немесе жинақтағы ұстағышта бекітіңіз.

Нивелирлеу автоматикасымен жұмыс істеу үшін нивелирлеу автоматикасының қосқышын **2**  күйіне жылжытыңыз. **6** нивелирлеу автоматикасының индикаторы жасыл түсте жанады (/“green” таңбасы).

Автоматты нивелирлеу мүмкін болмаса, мысалы, өлшеу құралының таяныш беті 4° көлденең сызығына сай болмаса лазер сызықтары жыпылықтап **6** индикаторы қызыл жанады.



Бұл жағдайда өлшеу құралын көлденең қойып, нивелирлеу аяқталғанша күтіңіз. Өлшеу құралы  $\pm 4^\circ$  өз нивелирлеу аймағының ішінде болса лазер сызықтары үздіксіз жанып **6** нивелирлеу автоматикасының индикаторы жасыл жанады.

## 80 | Қазақша

Өз нивелирлеу  $\pm 4^\circ$  аймағының сыртында нивелирлеу автоматикасымен жұмыс істеу мүмкін емес, әйтпесе лазер сызықтары бір біріне тік бұрышта болуын қамтамасыз ету мүмкін болмайды.

Пайдалану кезінде қағылыстар болса немесе күй өзгерсе өлшеу құралы автоматты ретте өзін нивелирлейді. Жаңа нивелирлеуден соң қателердің алдын алу үшін көлденең немесе тік лазер сызығының күйін негізгі нүктелерге салыстырып тексеріңіз.

### **Нивелирлеу автоматикасынсыз жұмыс істеу**

Нивелирлеу автоматикасынсыз жұмыс түрінде жұмыс істеу үшін нивелирлеу автоматикасының қосқышын **2**  күйіне жылжытыңыз. **6** нивелирлеу автоматикасының индикаторы жасылқызыл түсте жаңады ( “red” таңбасы).

Нивелирлеу автоматикасы өшкенде өлшеу құралын еркін қолда ұстау немесе қисайған табанға қою керек. Лазер сызықтары бір біріне тік ретте болмайды.

### **Нивелирлеу дәлдігі**

#### **Дәлдікке әсер ететін жағдайлар**

Қоршау температурасы ең күшті әсер етеді. Еденден жоғарыға болған температура өзгерістері лазер сәулесін ауытқуы мүмкін.

Температура айырмашылығы еденге жақын аймақта үлкен болғаны үшін, өлшеу құралын мүмкіншілік бойынша стандартты штативке **14** орнатып жұмыс аймағының ортасына орналастыру қажет.

Сыртқы әсерлерден тыс аспаптық әсерлер де (мысалы қағылыс немесе қатты соққылар) ауытқуларға алып келуі мүмкін. Сол үшін әр жұмыстан алдын нивелирлеу дәлдігін тексеріңіз.

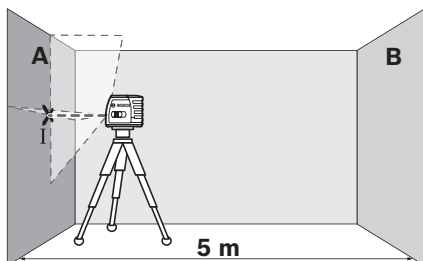
Алдымен көлденең лазер сызығының биіктік және нивелирлеу дәлдігін және тік лазер сызығының нивелирлеу дәлдігін тексеріңіз.

Егер өлшеу құралы тексеруде максималды ауытқуды арттырса, оны Bosch сервис орталығында жөндетіңіз.

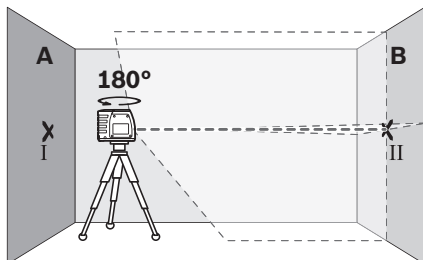
**Көлденең сызықтың биіктік дәлдігін тексеріңіз**

Тексеру үшін 5 м бос өлшеу қашықтығы қатты жерде А мен В екі қабырғаның арасында керек болады.

- Өлшеу құралын А қабырғасының қасында штативке немесе қатты тегіс табанда орнатыңыз. Өлшеу құралын қосыңыз. Айқыш-ұйқыш сызықтармен пайдалануды нивелирлеу автоматикасымен таңдаңыз.



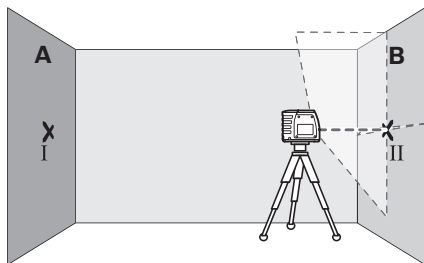
- Лазерді жағын А қабырғасына бағыттап өлшеу құралын нивелирлеңіз. Лазер сызықтары қабырғада айқыш-ұйқыш нүктесінің ортасын белгілеңіз (I нүктесі).



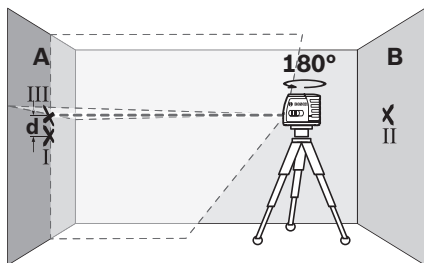
- Өлшеу құралын 180° бұрап, оны нивелирлеп лазер сызықтарының арғы В қабырғасындағы айқыш-ұйқыш нүктесін белгілеңіз (II нүктесі).

## 82 | Қазақша

- Өлшеу құралын – бұрамай – В қабырғасының қасында орналастырыңыз, қосып нивелирлеңіз.



- Өлшеу құралының биіктігін (штативтер немесе бар болса тіреуіш көмегімен) лазер сызықтарының айқыш-ұйқыш нүктесі В қабырғасында алдымен белгіленген нүктеге II сәйкес болатындай бағыттаңыз.



- Биіктігін өзгертпей өлшеу құралын  $180^\circ$  бұраңыз. Оны А қабырғасына тік лазер сызығы белгіленген I нүктесінен өтетін етіп бағыттаңыз. Өлшеу құралын нивелирлеп, лазер сызықтарының айқыш-ұйқыш нүктесін А қабырғасында (III нүктесі) белгілеңіз.
- А қабырғасындағы I мен III екі белгіленген нүктенің **d** айырмашылығы өлшеу құралының дәл биіктіктен ауытқуын көрсетеді.

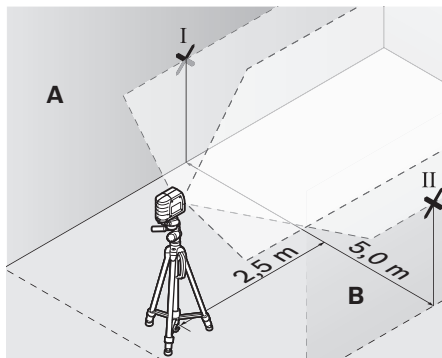
$2 \times 5 \text{ м} = 10 \text{ м}$  өлшеу қашықтығында ұйғарында максималды ауытқу:  
 $10 \text{ м} \times \pm 0,5 \text{ мм/м} = \pm 5 \text{ мм}$ .

I мен III нүктелері арасындағы **d** айырмашылық максималды 5 мм болуы тиіс.

**Көлденең сызықтың нивелирлеу дәлдігін тексеріңіз**

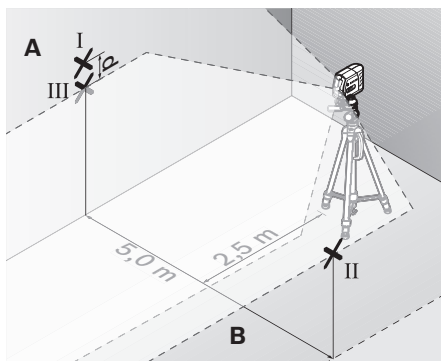
Тексеру үшін шам. 5 x 5 м бос аймақ керек.

- Өлшеу құралын бекем тегіс табында А мен В қабырғалар арасында қойыңыз. Өлшеу құралын көлденең пайдалануда нивелирлеу автоматикасымен нивелирлеңіз.



- Өлшеу құралынан 2,5 м қашықтықта екі қабырғада лазер сызығының орталығын белгілеңіз (А қабырғасында I нүктесі, В қабырғасында II нүктесі).

## 84 | Қазақша



- Өлшеу құралын 180° бұрап 5 м қашықтықта орнатып нивелирлеңіз.
- Өлшеу құралының биіктігін (штативтер немесе бар болса тіреуіш көмегімен) лазер сызығының орталығы В қабырғасында алдымен белгіленген нүктеге II сәйкес болатындай бағыттаңыз.
- А қабырғасында лазер сызығының орталығын III нүктесі ретінде белгілеңіз (тік немесе I нүктесі астында).
- А қабырғасындағы I мен III екі белгіленген нүктенің айырмашылығы **d** өлшеу құралының дәл көлденеу ауытқуын көрсетеді.

$2 \times 5 \text{ м} = 10 \text{ м}$  өлшеу қашықтығында ұйғарында максималды ауытқу:  
 $10 \text{ м} \times \pm 0,5 \text{ мм/м} = \pm 5 \text{ мм}$ .

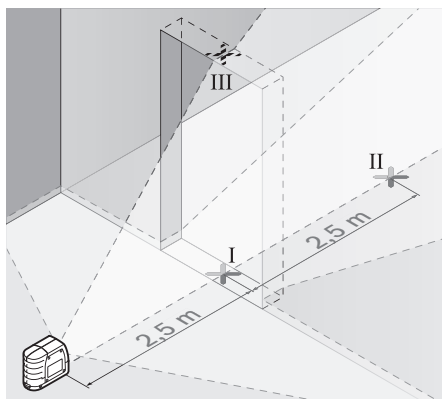
I мен III нүктелері арасындағы **d** айырмашылық максималды 5 мм болуы тиіс.



**Тік сызықтың нивелирлеу дәлдігін тексеріңіз**

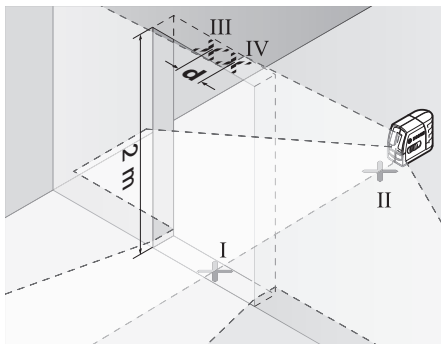
Тексеру үшін (қатты табанда) есіктің әр жағынан кемінде 2,5 м жай болатын есік тесігі керек.

- Өлшеу құралын есік тесігінен 2,5 м қашықтықта бекем тегіс табанда орналастырыңыз (штативте емес). Өлшеу құралын айқыш-ұйқыш пайдалануда нивелирлеу автоматикасымен нивелирлеп лазер сызықтарын есік тесігіне бағыттаңыз.



- Тік лазер сызығының орталығын есік тесігінің еденінде (I нүктесі), 5 м қашықтықта есік тесігінің басқа жағында (II нүктесі) және есік тесігінің жоғарғы шетінде (III нүктесі) белгілеңіз.

## 86 | Қазақша



- Өлшеу құралын  $180^\circ$  бұрап, есік тесігінің басқа жағында тікелей II нүктесінің артында орнатыңыз. Өлшеу құралын нивелирлеп, тік лазер сызығын орталығы нақты I мен II нүктелерінен өтетін етіп бағыттаңыз.
- Лазер сызығының орталығын есік тесігінің жоғарғы шетінде IV нүктесі ретінде белгілеңіз.
- I мен VI екі белгіленген нүктенің **d** айырмашылығы өлшеу құралының дәл тік сызықтан ауытқуын көрсетеді.

Максималды рұқсат етілетін ауытқуды төмендегідей өлшейсіз:  
есік тесігінің қос биіктігі  $\times 0,5$  мм/м

Мысал: есік тесігінің 2 м биіктігінде максималды ауытқу  $2 \times 2 \text{ м} \times 0,5 \text{ мм/м} = \pm 2 \text{ мм}$  болуы тиіс. Сол үшін III мен IV нүктелерінің аралығы екі өлшеудің әр бірінде максималды 2 мм болуы керек.

### Пайдалану нұсқаулары

- ▶ **Белгілеу үшін әрдайым тек лазер сызығының орталығын алыңыз.** Лазер сызығының ені қашықтықпен өзгереді.

#### Ұстағышпен бекіту

Ұстағыш **10** көмегімен өлшеу құралын түрлі заттарда 10–60 мм аралығындағы қалыңдығымен бекіту мүмкін, мысалы тік немесе көлденең тақта немесе құбырларда.

**Қазақша | 87**

Ұстағыштың **9** бекіту бұрандаларын босатып, ұстағышты керекті жайда орнатып бекіту бұрандасын қайта тартып қойыңыз.

Өлшеу құралын **11** штатив патронымен ұстағыштың **7** 1/4"-бұрандасына орнатып, қатты ұстағышта бұрап қойыңыз. Өлшеу құралын тым қатты бұрамаңыз, әйтпесе ол зақымдануы мүмкін.

Өлшеу құралын қосудан алдын ұстағышты дөрекі бағыттаңыз. Ол үшін ұстағыштың **8** бекіту бұрандасын босатып, өлшеу құралын керекті биіктікте көлденең күйге жылжытыңыз. Бекіту бұрандасын қайта бекемдеңіз.

**Тағанмен пайдалану**

Штатив **14** тұрақты және биіктігі реттелетін өлшеу табаны болады. Өлшеу құралын штатив патронымен **11** штативтің 1/4" бұрандасына салып, штативтің бекіткіш бұрандасымен бекітіңіз.

**Лазер көру көзілдірігі**

Лазер көру көзілдірігі қоршау жарығын сүзгілейді. Ол арқылы лазердің қызыл жарығы көз үшін жарқынырақ болады.

- ▶ **Лазер көру көзілдірігін қорғаныш көзілдірігі ретінде пайдаланбаңыз.** Лазер көру көзілдірігі лазер сәулесін жақсырақ көру үшін қызмет жасайды, бірақ ол лазер сәулесінен қорғайды.
- ▶ **Лазер көру көзілдірігін күн көзілдірігі ретінде немесе жол қозғалысында пайдаланбаңыз.** Лазер көрі көзілдірігі ультрариолет сәулелерінен толық қорғамай рең көру қабілетін азайтады.

**Техникалық күтім және қызмет****Қызмет көрсету және тазалау**

Өлшеу құралын таза ұстаңыз.

Өлшеу құралын суға немесе басқа сұйықтықтарға батырмаңыз.

Ластануларды суланған, жұмсақ шүберекпен сүртіңіз. Жуғыш заттарды немесе еріткіштерді пайдаланбаңыз.

Лазер шығыс тесігіндегі аймақтарды сапалы тазалайтын қылшықтарға назар аударыңыз.

**Тұтынушыға қызмет көрсету және пайдалану кеңестері**

Қызмет көрсету шеберханасы өнімді жөндеу және күту, сондай-ақ қосалқы бөлшектер туралы сұрақтарға жауап береді. Қажетті

## 88 | Қазақша

сызбалар мен қосалқы бөлшектер туралы ақпаратты мына мекенжайдан табысыз:

**www.bosch-pt.com**

Кеңес беруші Bosch қызметкерлері өнімді пайдалану және олардың қосалқы бөлшектері туралы сұрақтарыңызға тиянақты жауап береді.

Сұрақтар қою және қосалқы бөлшектерге тапсырыс беру кезінде міндетті түрде өлшеу құралының зауыттық тақтайшасындағы 10-санды өнім нөмірін жазыңыз.

Өндіруші талаптары мен нормаларының сақталуымен электр құралын жөндеу және кепілді қызмет көрсету барлық мемлекеттер аумағында тек “Роберт Бош” фирмалық немесе авторизацияланған қызмет көрсету орталықтарында орындалады.

ЕСКЕРТУ! Заңсыз жолмен әкелінген өнімдерді пайдалану қауіпті, денсаулығыңызға зиян келтіруі мүмкін. Өнімдерді заңсыз жасау және тарату әкімшілік және қылмыстық тәртіп бойынша Заңмен қудаланады.

### Қазақстан

Тұтынушыларға кеңес беру және шағымдарды қабылдау орталығы:  
“Роберт Бош” (Robert Bosch) ЖШС

Алматы қ.,  
Қазақстан Республикасы  
050012

Муратбаев к., 180 үй  
“Гермес” БО, 7 қабат  
Тел.: +7 (727) 331 31 00  
Факс: +7 (727) 233 07 87  
E-Mail: ptka@bosch.com

Сервистік қызмет көрсету орталықтары мен қабылдау пунктерінің мекен-жайы туралы толық және өзекті ақпаратты Сіз: [www.bosch-professional.kz](http://www.bosch-professional.kz) ресми сайттан ала аласыз

### Кәдеге жарату

Өлшеу құралын, оның жабдықтары мен қаптамасын қоршаған ортаны қорғайтын кәдеге жарату орнына тапсыру қажет.

Өлшеу құралдарын және аккумуляторларды/батареяларды үй қоқысына тастамаңыз!

**Техникалық өзгерістер енгізу құқығы сақталады.**

## الصيانة والخدمة

### الصيانة والتنظيف

حافظ دائما على نظافة عدة القياس.  
لا تغس عدد القياس في الماء أو غيرها من السوائل.  
امسح الأوساخ بواسطة قطعة نسيج طرية ورطبة. لا تستعمل مواد التنظيف أو المواد المملة.  
نظف خاصة السطوح عند فتحة خروج الليزر بشكل منتظم وانتبه للنسالة أثناء ذلك.

### خدمة الزبائن ومشورة الاستخدام

يجيب مركز خدمة الزبائن على أسئلتكم بصدد تصليح وصيانة المنتج وأيضا بما يخص قطع الغيار. يعثر على الرسوم الممددة وعلى المعلومات عن قطع الغيار بموقع:

[www.bosch-pt.com](http://www.bosch-pt.com)

سيكون من دواعي سرور فرقة مشورة الاستخدام بشركة بوش أن تساعدكم بخصوص الأسئلة عن منتجاتنا وتوابعها.

يرجى بشكل ضروري ذكر رقم الصنف بالمراتب العشر حسب لائحة طراز عدة القياس عند الاستشارة وعند إرسال طلبيات قطع الغيار.  
يرجى التوجه إلى التاجر المختص بما يتعلّق بأمر الضمان والتصليح وتأمين قطع الغيار.

### التخلص من العدة الكهربائية

يجب التخلص من عدة القياس والتوابع والتخليف بطريقة منصفة بالبيئة عن طريق النفايات القابلة لإعادة التصنيع.  
لا ترم عدد القياس والمراكم/البطاريات في النفايات المنزلية!

تحتفظ بحق إدخال التعديلات.



## ملاحظات شغل

◀ **يستخدم دائما منتصف خط الليزر للتعليم فقط.** يتغير عرض خط الليزر مع تغيير البعد.

### التثبيت بواسطة الحامل

يمكنك الاستعانة بالحامل **10** لتثبيت عدة القياس بأشياء مختلفة بثخن يبلغ من 10 وحتى 60 مم، مثلا: الألواح أو الأنابيب العمودية أو الأفقية.

حل لولب التثبيت **9** بالحامل، ركز الحامل على المكان المرغوب واحكم شد اللولب.

ركز عدة القياس بالمنصب الثلاثي القوائم **11** على لولب الـ 1/4 إنش بالحامل **7** واحكم شدّها بالحامل بقوة معتدلة. لا تزيد فتل عدة القياس لكي لا تصاب بتلف.

ينبغي تسوية الحامل بشكل تقريبي قبل تشغيل عدة القياس. حل لولب التثبيت **8** بالحامل وحرك عدة القياس إلى الوضع الأفقي بالارتفاع المرغوب. احكم شد لولب التثبيت.

### العمل بواسطة المنصب الثلاثي القوائم

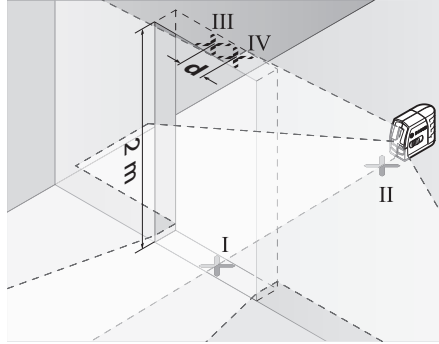
يشكل المنصب الثلاثي القوائم **14** قاعدة قياس ثابتة وقابلة لضبط الارتفاع. ركز عدة القياس بحاضن المنصب الثلاثي القوائم **11** على أسنان اللولبة 1/4 إنش بالمنصب الثلاثي القوائم واربطها بإحكام بواسطة لولب القمط بالمنصب الثلاثي القوائم.

### نظارات رؤية الليزر

إن نظارات رؤية الليزر تقوم بترشيح الضوء المحيط، وبذلك يبدو ضوء الليزر الأحمر أكثر سطوعا للعين.

◀ **لا تستخدم نظارات رؤية الليزر كنظارات واقية.** غرض نظارات رؤية الليزر هو تحسين إمكانية رؤية شعاع الليزر ولكنها لا تحمي من إشعاعات الليزر.

◀ **لا تستخدم نظارات رؤية الليزر كنظارات شمسية أو في نظام المرور.** لا تؤمن نظارات رؤية الليزر وقاية كاملة من الأشعة فوق بنفسجية وهي تخفف إمكانية التعرف على الألوان.



- افتل عدة القياس بمقدار  $180^\circ$  واركنها على الجانب الآخر من فتحة الباب مباشرة خلف النقطة II. اسمح بتسوية عدة القياس ووجه خط الليزر العامودي بحيث يمر منتصفه من النقطتين I و II بدقة.
- علم منتصف خط الليزر على الحافة العلوية بفتحة الباب على أنه النقطة IV.
- إن الفرق  $d$  بين النقطتين III و IV يشكل تفاوت عدة القياس الحقيقي عن الشاقول.

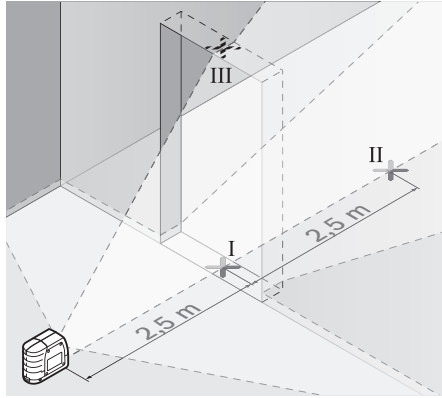
بحسب التفاوت الأقصى المسموح بالطريقة التالية:

- ضعف ارتفاع فتحة الباب  $0,5 \times$  م/م
- مثال: عندما يبلغ ارتفاع فتحة الباب 2 م، فإن التفاوت الأقصى المسموح يبلغ  $2 \times 0,5 \pm$  م/م =  $2 \pm$  م. أي أنه يجوز أن يبلغ البعد الأقصى بين النقطتين III و IV بكل من القياسين 2 مم كحد أقصى.

- علم على الجدار A منتصف خط الليزر كنقطة III (فوق أو تحت النقطة I عاموديا).
- إن الفرق **d** بين النقطتين I و III المعلمتين على الجدار A يشكل تفاوت عدة القياس الحقيقي عن الأفق.
- يبلغ التفاوت الأقصى المسموح بمسافة قياس قدرها  $5 \times 2 = 10$  م:  $10 \text{ م} \pm 0,5 \text{ م/م} = 5 \pm \text{م}$ .
- أي أنه يجوز أن يبلغ الفرق **d** بين النقطتين I و III 5 م كحد أعلى.

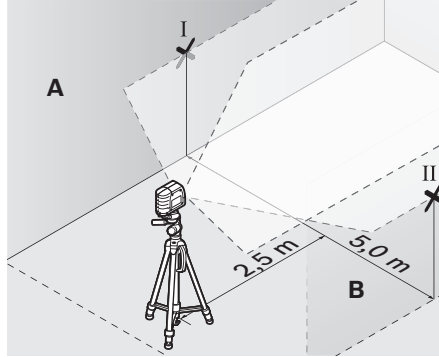
### تفحص دقة التسوية بالخط العامودي

- لكي يتم التفحص، فإنك بحاجة إلى فتحة باب يتوفر على كل من جانبيها خلاه (على أرضية ثابتة) يبلغ 2,5 م على الأقل.
- أوقف عدة القياس على مسافة 2,5 م من فتحة الباب على أرضية ثابتة ومستوية (ليس على الحامل ثلاثي القوائم). دع عدة القياس تقوم بضبط الاستواء ذاتيا في طريقة التشغيل المتعاقد مع آلية التسوية وقم بتوجيه خط الليزر الرأسي الأمامي إلى فتحة الباب.

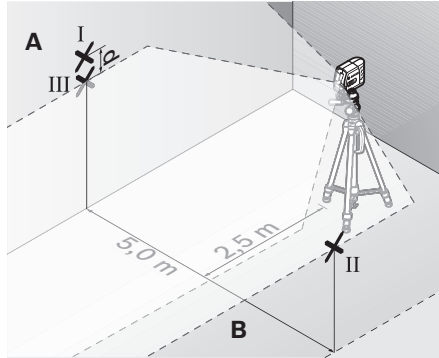


- علم منتصف خط الليزر العامودي على أرض فتحة الباب (النقطة I) وعلى بعد 5 م على الجانب الآخر من فتحة الباب (النقطة II) وأيضاً على الحافة العلوية بفتحة الباب (النقطة III).

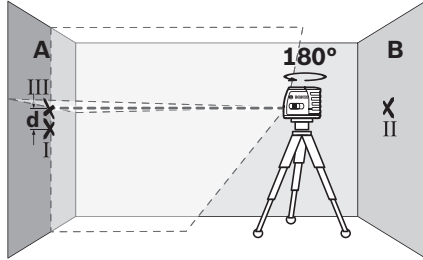




- علم على الجدارين على بعد 2,5 م عن عدة القياس منتصف خط الليزر (النقطة I على الجدار A والنقطة II على الجدار B).



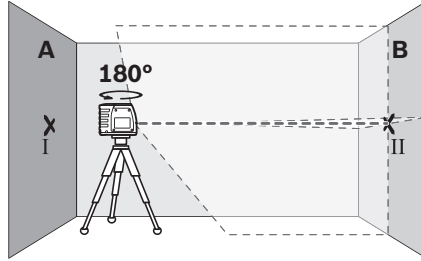
- اركن عدة القياس بعد تدويرها بمقدار  $180^\circ$  على بعد 5 أمتار واسمح لها أن تقوم بالسوية.
- ابدأ بتسوية ارتفاع عدة القياس (بواسطة المنصب الثلاثي القوائم أو من خلال وضع شيء ما تحتها عند الضرورة) بحيث يصيب منتصف خط الليزر بدقة النقطة II التي سبق وتم تعليمها على الجدار B.



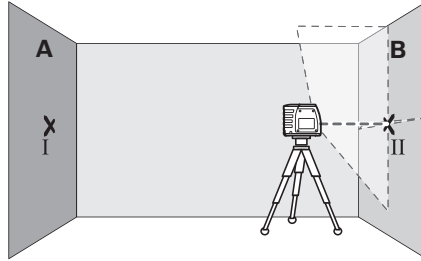
- ابرم عدة القياس بمقدار  $180^\circ$  درجة دون أن تغير ارتفاعها. وجهها على الجدار A بحيث يمر خط الليزر العمودي عبر النقطة I التي سبق وتم تعليمها. اسمح لها أن تقوم بالتسوية وعلم نقطة تصالب خطي الليزر على الجدار A (النقطة III).
- إن الفرق  $d$  بين النقطتين I و III المعلمتين على الجدار A يشكل تفاوت الارتفاع الحقيقي بعدة القياس.
- يبلغ التفاوت الأقصى المسموح بمسافة قياس قدرها  $5 \times 2$  م = 10 م:  $10 \pm 0,5 \times$  م / م =  $5 \pm$  م.
- أي أنه يجوز أن يبلغ الفرق  $d$  بين النقطتين I و III 5 مم كحد أعلى.

### تفحص دقة التسوية بالخط الأفقي

- لكي يتم التفحص، فإنك بحاجة إلى مساحة خالية تبلغ  $5 \times 5$  م تقريبا.
- قم ب نصب عدة القياس على أرضية ثابتة ومستوية في المنتصف بين الجدارين A و B. دع عدة القياس تقوم بضبط الاستواء ذاتيا في طريقة التشغيل الأفقي مع آلية التسوية.



- ابرم عدة القياس بمقدار  $180^\circ$  درجة، اسمح لها أن تقوم بالتسوية وعلم منتصف نقطة تصالب خطي الليزر على الجدار المقابل B (النقطة II).
- اركن عدة القياس - دون تدويرها - بقرب الجدار B، شغلها واسمح لها أن تقوم بالتسوية.



- ابدأ بتسوية ارتفاع عدة القياس (بواسطة المنصب الثلاثي القوائم أو من خلال وضع شيء ما تحتها عند الضرورة) بحيث تصيب نقطة تصالب خطي الليزر بدقة النقطة II التي سبق وتم تعليمها على الجدار B.

## دقة التسوية

### عوامل مؤثرة على الدقة

تشكل درجة الحرارة المحيطة التأثير الأكبر على الدقة. ويمكن بشكل خاص لتفاوتات درجات الحرارة المتوجهة من الأرض إلى الأعلى أن تؤدي إلى انحراف شعاع الليزر.

نظراً لأن التطبيق المراري بالقرب من الأرضية يكون أكبر ما يمكن، يجب قدر الإمكان تركيب عدة القياس على حامل ثلاثي القوائم 14 ونصبه في منتصف سطح العمل.

علاوة على التأثيرات الخارجية قد تؤدي التأثيرات الخاصة بالجهاز (مثل السقوط أو الصدمات القوية) إلى حدوث تفاوتات. لذلك احرص دائماً على فحص دقة ضبط الاستواء عند كل مرة تبدأ فيها بالعمل.

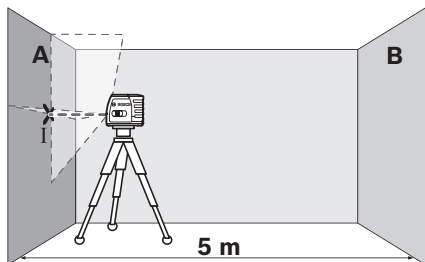
تفحص دائماً دقة الارتفاع ودقة التسوية بخط الليزر الأفقي أولاً ثم دقة التسوية بخط الليزر العامودي.

اسمح بتصلب عدة القياس لدى مركز خدمة الزبائن بشركة بوش لو تجاوزت التفاوت الأقصى بإحدى عمليات التفحص.

### تفحص دقة الارتفاع بالخط الأفقي

لكي يتم التفحص، فإنك بحاجة إلى مسافة قياس خالية على أرضية ثابتة بعدد يبلغ حوالي 5 م بين جدارين A و B.

- ركب عدة القياس قرب الجدار A على منبص ثلاثي القوائم أو اركنها على أرضية ثابتة مستوية. شغل عدة القياس. غيرها على التشغيل بالخطوط المتصالبة مع آلية التسوية.





- وجه الليزر على الجدار القريب A. اترك عدة القياس لتقوم بالتسوية. علم منتصف النقطة التي يتصلب بها خط الليزر على الجدار (النقطة I).

## التطبيق

تقوم عدة القياس باحتساب ومراجعة الخطوط الأفقية والرأسية، بالإضافة إلى إظهار الخطوط المائلة.

### الشغل مع آلية التسوية

ضع عدة القياس على أرضية أفقية ثابتة أو قم بتثبيتها على حامل ثلاثي القوائم **14** أو على العامل المورد معها.

للعمل مع آلية التسوية، ينبغي أن تدفع مفتاح آلية التسوية **2** إلى المركز . يضيء مؤشر آلية التسوية **6** بالأخضر (الرمز / "green").



إذا تعذرت عملية التسوية الأوتوماتيكية، على سبيل المثال، نظرا لأن نطاق وقوف عدة القياس يميل بزاوية تزيد على  $4^\circ$  عن المحور الأفقي، تومض خطوط الليزر ويضيء البيان **6** باللون الأحمر.

في هذه الحالة أوقف عدة القياس بشكل أفقي وانتظر ضبط الاستواء الذاتي. بمجرد عودة عدة القياس مرة أخرى داخل نطاق الاستواء الذاتي البالغ  $4^\circ \pm$  تضيء خطوط الليزر بشكل مستمر ويضيء بيان آلية التسوية **6** باللون الأخضر.

لا يمكن العمل مع آلية التسوية خارج مجال التسوية الذاتية البالغ  $4^\circ \pm$  إذ لا يمكن أن يُضمن بأن خطي الليزر سيسيران بزاوية قائمة بالنسبة لبعضهما البعض.

يتم إعادة تسوية عدة القياس بشكل آلي عند الاضطرابات أو عند تغيير الوضعية أثناء التشغيل. تفحص مركز خطوط الليزر الأفقية أو العمودية بعد إعادة التسوية نظرا إلى النقط المرجعية من أجل تجنب الأخطاء.

### العمل دون آلية التسوية

للأعمال بنوع التشغيل دون آلية التسوية حرك مفتاح آلية التسوية **2** إلى الوضع . يضيء بيان آلية التسوية **6** باللون الأحمر (الرمز / "red").

يمكن حمل عدة القياس باليد بحرية أو ركنها على أرضية ملائمة عند اطفاء آلية التسوية. لم يعد من الضروري أن تسري خطوط الليزر بشكل عمودي بالنسبة لبعضها البعض.



### التشغيل والإطفاء

لغرض تشغيل عدة القياس اضغط على زر التشغيل والإيقاف 5. تقوم عدة القياس بعد التشغيل مباشرة بإرسال شعاع ليزر من المخرج 1. ◀ لا توجه شعاع الليزر على الأشخاص أو الحيوانات ولا توجه أنت نظرك إلى شعاع الليزر، ولا حتى عن بعد كبير.

لغرض إيقاف عدة القياس كرر الضغط على زر التشغيل والإيقاف 5 إلى أن يختفي بيان آلية التسوية 6. حرك مفتاح آلية التسوية 2 إلى الوضع ⑦ لإقفال وحدة الترجع. ◀ لا تترك عدة القياس قيد التشغيل دون مراقبة واطفئ عدة القياس بعد استعمالها. قد يتم إعماء بصر أشخاص آخرين بشعاع الليزر.

### أنواع التشغيل

بعد التشغيل تكون عدة القياس في طريقة التشغيل مع آلية التسوية ⑦ أو في نوع التشغيل دون آلية التسوية ⑧. لتغيير نوع الخطوط كرر الضغط على زر طرق التشغيل 5 إلى أن يتم ضبط الطريقة المرغوبة. تجد في الجدول التالي عرضاً لطرق التشغيل المختلفة.

الرمز	الطريقة
1	<b>طريقة الخطوط المتصالية</b> (انظر الصور A و D): تصدر عدة القياس خط ليزر أفقي وخط آخر رأسي من مخرج إشعاع الليزر 1.
2	<b>الطريقة الأفقية</b> (تراجع الصورة B): تصدر عدة القياس خط ليزر أفقي من مخرج إشعاع الليزر 1.
3	<b>الطريقة الرأسية</b> (تراجع الصورة C): تصدر عدة القياس خط ليزر رأسي من مخرج إشعاع الليزر 1.

يمكن اختيار جميع الطرق مع أو بدون آلية التسوية.

## التركيب

### تركيب/استبدال البطاريات

ينصح باستخدام بطاريات المنغنيز القلوي لتشغيل عدة القياس.  
لكي تفتح غطاء حجرة البطاريات 4 ينبغي أن تضغط على القفل 3 وأن تقلب غطاء حجرة البطاريات للأعلى. ركب البطارية. احرص أثناء ذلك على وصل الأقطاب بالشكل الصحيح حسب الصورة بالجانب الداخلي بغطاء حجرة البطاريات.  
استبدل دائماً جميع البطاريات في آن واحد. استخدم فقط بطاريات من نفس المنتج ونفس السعة.

◀ **انزع البطاريات عن عدة القياس عند عدم استعمالها لفترة طويلة.** قد تتآكل البطاريات عند تخزينها لفترة طويلة فتقوم بتفريغ نفسها.

## التشغيل

### بدء التشغيل

- ◀ **احم عدة القياس من الرطوبة ومن أشعة الشمس المباشرة.**
- ◀ **لا تعرض عدة القياس لدرجات الحرارة القصوى أو للتقلبات الحرارية.** لا تتركها في السيارة لفترة طويلة مثلاً. اسمح لعدة القياس أن تتوصل إلى درجة حرارة معتدلة قبل تشغيلها عند توفر التقلبات الشديدة بدرجات الحرارة. قد تقل درجات الحرارة القصوى أو التقلبات الشديدة بدرجات الحرارة بدقة عدة القياس.
- ◀ **تجنب الصدمات الشديدة بعدة القياس أو سقوطها على الأرض.** ينبغي تفحص دقة عدة القياس قبل متابعة تشغيلها بعد تأثير العوامل الخارجية الشديدة عليها (تراجع "دقة التسوية").
- ◀ **ادفع مفتاح آلية التسوية 2 إلى المركز 0، عندما تقوم بنقل عدة القياس.** يتم إقفال وحدة الترجع بذلك، وإلا فقد يتم إتلافها إن تعرضت لحركات شديدة.

## البيانات الفنية

ليزر الخطوط المتصالبة	
GLL 2	رقم الصنف
3 601 K63 A01	مجال العمل تقريبا إلى حد <sup>1)</sup>
10 متر	دقة التسوية
± 0,5 مم/متر	مجال التسوية الذاتية النموذجية
± 4°	مدة التسوية النموذجية
≥ 6 ثا	درجة حرارة التشغيل
+ 40 °C ... + 5 °C	درجة حرارة التخزين
+ 70 °C ... - 20 °C	الرطوبة الجوية النسبية القصوى
90 %	درجة الليزر
2	طراز الليزر
650 نانومتر، > 1 ميليوات	قطر شعاع الليزر <sup>2)</sup> (عند 25 °C حوالي
2 مم	- عند مسافة 3 م
3 مم	- عند مسافة 5 م
0,5 ميلي راد (زاوية كاملة)	تفاوت خط الليزر
1/4"	حاضن المنصب الثلاثي القوائم
LR6 (AA) 1,5 x 2 فولط	بطاريات
15 ساعة	مدة التشغيل التقريبية
0,28 كغ	الوزن حسب EPTA-Procedure 01:2014
84 x 63 x 77 مم	المقاسات (الطول x العرض x الارتفاع)
<p>1) قد يقل مجال العمل من خلال شروط الأجواء الغير ملائمة (مثلا: التعرض لأشعة الشمس المباشرة).</p> <p>2) يرتبط عرض خط الليزر بطبيعة السطح والظروف المحيطة.</p> <p>لتمييز عدة القياس بوضوح، يرجع إلى الرقم المتسلسل <b>12</b> على لافتة الطراز.</p>	



- ◀ اسمح بتصليح عدة القياس من قبل العمال المؤهلين والمختصين وباستعمال قطع الغيار الأصلية فقط. يؤمن ذلك المحافظة على أمان عدة القياس.
- ◀ لا تسمح للأطفال باستخدام عدة قياس الليزر دون مراقبة. قد يقوموا بإعماء بصر الآخرين بشكل غير مقصود.
- ◀ لا تشتغل بواسطة عدة القياس في محيط معرض لخطر الانفجار الذي تتوفر به السوائل أو الغازات أو الأغبرة القابلة للاحتراق. قد يُنتج الشرر في عدة القياس، فيشعل هذه الأغبرة أو الأبخرة.

## وصف المنتج والأداء

### الاستعمال المخصص

لقد خصصت عدة القياس لاستنتاج وتفحص الخطوط الأفقية والعمودية. تصلح عدة القياس للتشغيل في أماكن العمل المغلقة فقط.

### الأجزاء المصورة

يستند ترقيم الأجزاء المصورة إلى رسوم عدة القياس الموجودة على صفحة الرسوم التخطيطية.

- 1 مخرج اشعاع الليزر
  - 2 مفتاح آلية التسوية/إقفال وحدة الترجع
  - 3 تثبيت غطاء حجرة البطاريات
  - 4 غطاء حجرة البطاريات
  - 5 زر تشغيل وإيقاف/زر طرق التشغيل
  - 6 مؤشر آلية التسوية
  - 7 لولب 1/4" بالحامل
  - 8 لولب قمط الحامل
  - 9 لولب تثبيت الحامل
  - 10 الحامل
  - 11 حاضن المنصب الثلاثي القوائم 1/4 إنش
  - 12 الرقم المتسلسل
  - 13 لافتة تحذير-الليزر
  - 14 منصب ثلاثي القوائم\*
  - 15 نظارات رؤية الليزر\*
- \* إن النوابع الموصوفة أو الموجودة في الرسم ليست محتواة في إطار التوريد الاعتيادي.

## عربي

## تعليمات الأمان

يجب قراءة ومراعاة جميع الإرشادات للعمل بعدة القياس بأمان وبلا مخاطرات. في حالة استخدام عدة القياس بشكل يخالف الإرشادات الواردة فقد يؤثر ذلك سلباً على إجراءات الحماية في عدة القياس. لا تتلف اللافتات التحذيرية الموجودة على عدة القياس أبداً. احتفظ بهذه التعليمات بحالة جيدة، واحرص على إرفاقها بعدة القياس في حالة إعطائها لشخص آخر.



- ◀ احترس - إن استخدمت تجهيزات تحكم أو ضبط غير التي تم ذكرها هنا أو إن تم تطبيق أساليب عمل أخرى، فقد يؤدي ذلك إلى تعرض إشعاعي خطير.
- ◀ يتم تسليم عدة القياس مع لافتة تحذيرية (تم الإشارة إليها بصورة عدة القياس على صفحة الرسوم التخطيطية بالرقم 13).



- ◀ إن لم يكن النص على اللافتة التحذيرية بلغة بلدك، فالصق عليه اللاصقة المرفقة بلغة بلدك قبل الاستخدام للمرة الأولى.

لا توجه شعاع الليزر على الأشخاص أو الحيوانات ولا توجه نظرك إلى شعاع الليزر المباشر أو المنعكس. حيث يتسبب ذلك في إبهار الأشخاص أو في وقوع حوادث أو حدوث أضرار بالعينين.



- ◀ في حالة سقوط أشعة الليزر على العين، فقم بغلقها على الفور، وأبعد رأسك عن شعاع الليزر.
- ◀ لا تقم بإجراء تغييرات على جهاز الليزر.
- ◀ لا تستخدم نظارات رؤية الليزر كمنظارات واقية. غرض نظارات رؤية الليزر هو تحسين إمكانية رؤية شعاع الليزر ولكنها لا تحمي من إشعاعات الليزر.
- ◀ لا تستخدم نظارات رؤية الليزر كمنظارات شمسية أو في نظام المرور. لا تؤمن نظارات رؤية الليزر وقاية كاملة من الأشعة فوق بنفسجية وهي تخفف إمكانية التعرف على الألوان.

## مراقبت و سرویس

### مراقبت، تعمیر و تمیز کردن دستگاه

ابزار اندازه گیری را همواره تمیز نگاه دارید.  
ابزار اندازه گیری را در آب و یا سایر مایعات غوطه ور نکنید.  
برای پاک کردن آلودگی از یک دستمال نرم و مرطوب استفاده کنید.  
از کاربرد مواد پاک کننده و یا حلال خودداری کنید.  
بخصوص سطوح حول روزنه خروجی لیزر را بطور مرتب تمیز کنید و در این رابطه توجه داشته باشید که از دستمال بدون پرز استفاده کنید.

### خدمات پس از فروش و مشاوره با مشتریان

دفتر خدمات پس از فروش به سئوالات شما در باره تعمیرات، سرویس و همچنین قطعات یدکی و متعلقات پاسخ خواهد داد. تصاویر و اطلاعات در باره قطعات یدکی و متعلقات را میتوانید در سایت نامبرده زیر جستجو نمایید:

[www.bosch-pt.com](http://www.bosch-pt.com)

تیم مشاور خدمات پس از فروش شرکت بوش با کمال میل به سئوالات شما در باره خرید، طرز استفاده و تنظیم محصولات و متعلقات پاسخ میدهد.

برای هرگونه سؤال و یا سفارش ابزار یدکی و متعلقات، لطفاً حتماً شماره فنی ده رقمی کالا را مطابق برچسب روی ابزار اندازه گیری اطلاع دهید.

برای استفاده از گارانتی، تعمیر دستگاه و تهیه ابزار یدکی فقط به افراد متخصص مراجعه کنید.

### از رده خارج کردن دستگاه

ابزار اندازه گیری، متعلقات و بسته بندی ها باید به طریق مناسب با حفظ محیط زیست از رده خارج و بازیافت شوند.  
ابزار های اندازه گیری و باتریها/باتری های قابل شارژ را داخل زباله دان خانگی نیندازید!

حق هر گونه تغییری محفوظ است.



## راهنمائی های عملی

◀ **همواره مرکز خط لیزر را برای علامتگذاری انتخاب کنید.** پهنای خط لیزر با تغییر فاصله تغییر می کند.

### نمونه اتصال بوسیله گیره (تجهیزات) مهار

به کمک نگهدارنده **10** می توان ابزار اندازه گیری را روی اشیاء مختلف با ضخامت 10 تا 60 میلیمتر محکم کرد، مثلاً روی تخته ها یا لوله های افقی یا عمودی.

پیچ اتصال **9** نگهدارنده را شل کنید، نگهدارنده را روی جای دلخواه قرار دهید و پیچ اتصال را سفت کنید.

ابزار اندازه گیری را به کمک گیرنده ی سه پایه **11** روی پیچ **7** 1/4" واقع بر نگهدارنده قرار دهید و آن را با نیروی متعادل روی نگهدارنده بچرخانید. ابزار اندازه گیری را زیاد محکم سفت نکنید، در غیر اینصورت آسیب می بیند.

نگهدارنده را قبل از روشن کردن به طور تقریبی تراز کنید. پیچ اتصال **8** نگهدارنده را شل کنید و ابزار اندازه گیری را در حالت افقی به ارتفاع دلخواه برانید. پیچ اتصال را دوباره محکم ببندید.

### نمونه کار با سه پایه

سه پایه **14** یک قرارگاه ثابت، محکم با قابلیت تغییر و تنظیم ارتفاع را فراهم می کند. ابزار اندازه گیری را از محل اتصال سه پایه **11** بر روی رزوه 1/4" اینچ سه پایه قرار بدهید و آنرا بوسیله پیچ تثبیت سه پایه محکم کنید.

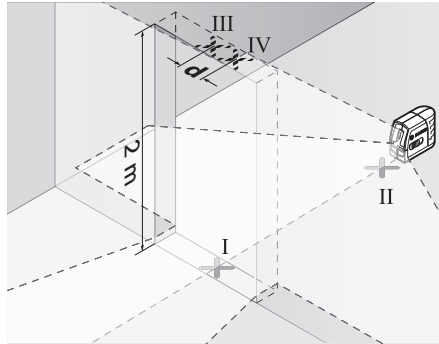
### عینک مخصوص دید پرتو لیزر

عینک مخصوص دید پرتو لیزر، نور اطراف را فیلتر می کند. به این ترتیب نور قرمز لیزر روشنتر دیده می شود.

◀ **از عینک مخصوص دید پرتو لیزر بعنوان عینک ایمنی استفاده نکنید.** عینک مخصوص دید پرتو لیزر برای تشخیص بهتر پرتو لیزر است ولیکن نمی تواند از چشم شما در برابر پرتو لیزر محافظت کند.

◀ **از عینک مخصوص دید پرتو لیزر بعنوان عینک آفتابی و یا هنگام رانندگی استفاده نکنید.** عینک مخصوص دید پرتو لیزر محافظت و ایمنی کامل را در برابر تشعشعات ماورای بنفش ارائه نمی دهد و قدرت درجه تشخیص رنگ را نیز کاهش می دهد.





- ابزار اندازه گیری را  $180^\circ$  درجه بچرخانید و آنرا در طرف دیگر بازشو در مستقیماً در پشت نقطه II مستقر کنید. بگذارید ابزار اندازه گیری تراز بشود و خط لیزر عمودی را طوری تنظیم کنید که مرکز آن دقیقاً از میان نقاط I و II عبور کند.

- نقطه مرکز خط لیزر را در حاشیه بالای بازشو در بعنوان نقطه IV علامتگذاری کنید.

- اختلاف  $d$  مابین دو نقطه علامتگذاری شده III و IV، نتیجه میزان انحراف یا اختلاف واقعی ابزار اندازه گیری نسبت به خط عمودی است.

حداکثر میزان اختلاف مجاز به شرح زیر محاسبه می شود:

$x 0,5 \text{ mm/m}$  دو برابر ارتفاع بازشو در  
 بطور مثال: در ارتفاع یک بازشو در به اندازه 2 متر، حداکثر میزان

اختلاف مجاز می تواند معادل

$2 \times 2 \text{ m} \times 0,5 \text{ mm/m} = \pm 2 \text{ mm}$  باشد. در نتیجه نقاط علامتگذاری

شده III و IV، می توانند در هر یک از دو اندازه گیری حداکثر معادل

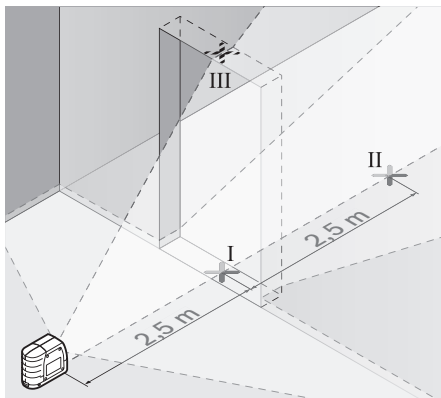
2 میلیمتر و نه بیش از آن، از هم فاصله داشته باشند.



### نمونه کنترل دقت تراز خط عمودی

برای کنترل به یک بازشو در (بر روی یک سطح مستحکم) که در هر طرف آن حداقل 2,5 متر فضای آزاد باشد نیاز است.

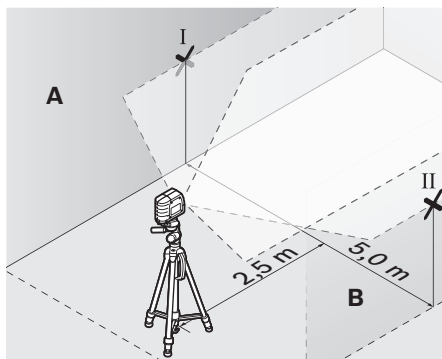
- ابزار اندازه گیری را در 2,5 متری ورودی درب روی یک سطح صاف و ثابت (نه روی سه پایه) قرار دهید. بگذارید ابزار اندازه گیری را در عملکرد ضربدری با تراز اتوماتیک تراز شود و خط لیزر عمودی جلویی را روی سوراخ در بیاندازد.



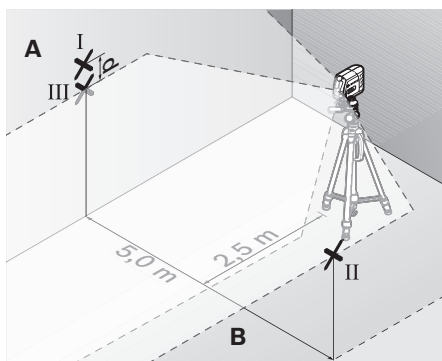
- نقطه مرکز خط لیزر عمودی را بر روی زمین (کف) بازشو در علامتگذاری کنید (نقطه I)، در فاصله 5 متری از طرف دیگر برش در (نقطه II) را و همچنین در حاشیه بالای بازشو در (نقطه III) را علامتگذاری کنید.



- ارتفاع ابزار اندازه گیری را طوری تنظیم کنید (بوسیله سه پایه و یا در صورت لزوم با قرار آن بر روی یک شیئی) که نقطه مرکز خط لیزر دقیقاً بر روی نقطه II موجود بر روی دیوار B که پیشاپیش علامت گذاری شده است، قرار بگیرد.
- بر روی دیوار A مرکز خط لیزر را بعنوان نقطه III (بطور عمود به نقطه I در بالای و یا پائین آن) علامتگذاری کنید.
- اختلاف **d** مابین دو نقطه I و III علامتگذاری شده روی دیوار A، انحراف یا اختلاف واقعی ابزار اندازه گیری نسبت به خط افقی است. در مسافت اندازه گیری به مقدار  $10 \text{ m} = 2 \times 5 \text{ m}$  (10 متر)، حداکثر اختلاف یا خطای مجاز به شرح زیر است:  
 $10 \text{ m} \times \pm 0,5 \text{ mm/m} = \pm 5 \text{ mm}$   
 (10 متر  $\pm 0,5$  میلیمتر در متر  $\pm 5$  میلیمتر).  
 در نتیجه اختلاف **d** بین نقاط I و III باید حداکثر 5 میلیمتر باشد.

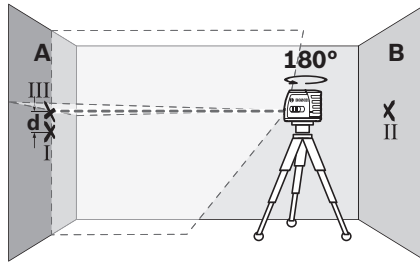


- در فاصله 2,5 m متر از ابزار اندازه گیری، نقاط مرکز خطوط لیزر را بر روی دو دیوار علامتگذاری کنید (نقطه I بر روی دیوار A و نقطه II بر روی دیوار B).



- سپس ابزار اندازه گیری را  $180^\circ$  درجه بچرخانید و آنرا در فاصله 5 m متری قرار بدهید و بگذارید ابزار اندازه گیری تراز بشود.





- ابزار اندازه گیری را بدون اینکه تغییری در ارتفاع آن بدهید،  $180^\circ$  درجه بچرخانید. آنرا طوری به طرف دیوار A تنظیم کنید که خط عمودی لیزر از مرکز نقطه علامت گذاری شده I عبور کند. بگذارید ابزار اندازه گیری تراز بشود و نقطه مرکز محل تقاطع خطوط لیزر را بر روی دیوار A علامتگذاری کنید (نقطه III).

- اختلاف  $d$  مابین دو نقطه I و III علامتگذاری شده روی دیوار A، انحراف یا خطای واقعی ابزار اندازه گیری در ارتفاع اندازه گیری شده است.

در مسافت اندازه گیری به مقدار  $10\text{ m} = 2 \times 5\text{ m}$  (10 متر)، حداکثر اختلاف یا خطای مجاز به شرح زیر است:

$$10\text{ m} \times \pm 0,5\text{ mm/m} = \pm 5\text{ mm}$$

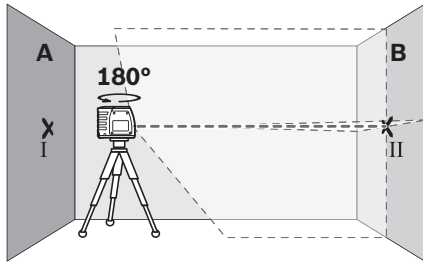
(10 متر  $\pm 0,5$  میلیمتر در متر  $\pm 5$  میلیمتر).

در نتیجه اختلاف  $d$  بین نقاط I و III باید حداکثر 5 میلیمتر باشد.

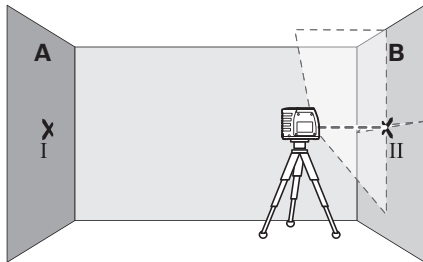
### نحوه کنترل دقت تراز خط افقی

برای کنترل به یک مسافت اندازه گیری معادل  $5 \times 5\text{ m}$  متر نیاز است.

- ابزار اندازه گیری را روی یک سطح محکم، صاف در وسط دیوارهای A و B قرار دهید. بگذارید ابزار اندازه گیری در عملکرد افقی با تراز اتوماتیک تنظیم شود.



- ابزار اندازه گیری را  $180^\circ$  درجه بچرخانید و بگذارید تراز بشود و نقطه مرکز محل تقاطع خطوط لیزر را بر روی دیوار مقابل یعنی دیوار B علامتگذاری کنید (نقطه II).
- ابزار اندازه گیری را بدون چرخاندن آن، نزدیک به دیوار B قرار دهید، آنرا روشن کنید و بگذارید تراز بشود.



- ارتفاع ابزار اندازه گیری را طوری تنظیم کنید (بوسیله سه پایه و یا در صورت لزوم با فرار آن بر روی یک شیئ) که نقطه محل تقاطع خطوط لیزر دقیقاً بر روی نقطه II موجود بر روی دیوار B که پیشاپیش علامت گذاری شده است، قرار بگیرد.

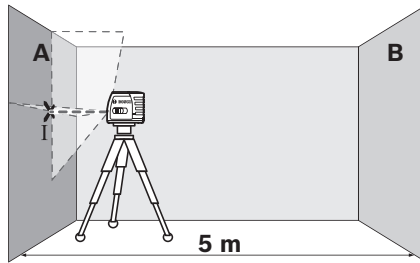
نخست ارتفاع ها و دقت تراز خط لیزر افقی و سپس دقت تراز خط لیزر عمودی را کنترل کنید.

چنانچه میزان خطای ابزار اندازه گیری در طی یکی از آزمایش ها از حداکثر میزان خطا (اختلاف) فراتر رود، آنگاه باید ابزار اندازه گیری را توسط خدمات پس از فروش بوش تعمیر کنید.

### نحوه کنترل دقت ارتفاع خط افقی

برای کنترل به یک مسافت اندازه گیری معادل 5 متر با سطح اتکاء (زمینه) ثابت و محکم مابین دو دیوار A و B نیاز دارید.

- ابزار اندازه گیری را در نزدیکی دیوار A روی یک سه پایه مونتاژ کنید و یا آنرا روی یک سطح ثابت، محکم و صاف قرار بدهید. ابزار اندازه گیری را روشن کنید. عملکرد خطوط متقاطع با تراز اتوماتیک را انتخاب کنید.



- لیزر را به طرف و در نزدیکی دیوار A تنظیم کنید و بگذارید ابزار اندازه گیری تراز بشود. نقطه مرکز محل تقاطع خطوط لیزر را بر روی دیوار علامتگذاری کنید (نقطه I).





## فارسی | 112

در این صورت ابزار اندازه گیری را به طور افقی قرار دهید و تا تراز شدن اتوماتیک صبر کنید. به محض قرار گرفتن ابزار اندازه گیری در محدوده ی خود ترازشوندگی به مقدار  $4^{\circ} \pm$  قرار گرفت، خطوط لیزر به طور ممتد روشن می شوند، نمایشگر تراز اتوماتیک 6 به رنگ سبز روشن می شود.

خارج از محدوده تراز خودکار  $4^{\circ} \pm$  کار با تراز اتوماتیک ممکن نیست، چون در غیر اینصورت تضمینی وجود ندارد که خطوط لیزر در زاویه راست به طرف یکدیگر حرکت کنند.

در صورت ایجاد ارتعاشات، تکانهای شدید و یا تغییر مکان ابزار اندازه گیری در حین کار، ابزار اندازه گیری دوباره بطور اتوماتیک تراز می شود. پس از تراز شدن مجدد، وضعیت پرتو خطوط افقی و خطوط عمودی لیزر را نسبت به نقاط مبدأ کنترل کنید تا از بروز خطا جلوگیری بعمل آید.

### نحوه کار بدون تراز اتوماتیک

جهت کار بدون تراز اتوماتیک، کلید تراز اتوماتیک 2 را به حالت  برانید. نمایشگر تراز اتوماتیک 6 به رنگ سبز روشن می شود (علامت /«red»).

چنانچه تراز اتوماتیک خاموش باشد، می توانید ابزار اندازه گیری را بطور آزاد در دست بگیرید و یا آنرا بر روی یک سطح مناسب مستقر کنید. خطوط لیزر لزوماً بطور عمود نسبت به یکدیگر قرار ندارند.

## دقت تراز کردن



### عوامل تاثیر گذارنده در دقت عمل




بیشترین تاثیر را دمای محیط کار دارد. بخصوص اختلافات و تفاوت دما در سیر جریان دما از سطح پائین (کف) به بالا می توانند پرتو لیزر را منحرف کنند.

از آنجا که طبقه بندی دما در نزدیکی زمین بیشترین مقدار است، بایستی ابزار اندازه گیری را در صورت امکان روی یک سه پایه 14 نصب کنید و آن را در وسط سطح کار قرار دهید.

در کنار تأثیرات بیرونی، تأثیرات مربوط به دستگاه (مانند افتادن، یا تکانهای شدید) می توانند باعث بروز خطا شوند. به همین منظور قبل از هر شروع کار، دقت تراز را کنترل کنید.

## انواع عملکردها

پس از روشن شدن، ابزار اندازه گیری در عملکرد با تراز اتوماتیک  یا در عملکرد بدون تراز اتوماتیک  قرار دارد. جهت تعویض نوع خط، دکمه ی وضعیت **5** را آنقدر فشار دهید تا حالت دلخواه تنظیم شود. در جدول زیر وضعیتهای مختلف نشان داده شده است.



علامت	وضعیت
	<b>ضربدری</b> (رجوع کنید به تصاویر A و D): ابزار اندازه گیری یک خط لیزر افقی و یک خط لیزر عمودی از سوراخ خروجی جلویی لیزر <b>1</b> تولید می کند.
	<b>حالت افقی</b> (رجوع شود به تصویر B): ابزار اندازه گیری یک خط لیزر افقی از سوراخ خروجی جلویی لیزر <b>1</b> تولید می کند.
	<b>حالت عمودی</b> (رجوع شود به تصویر C): ابزار اندازه گیری یک خط لیزر عمودی از سوراخ خروجی جلویی لیزر <b>1</b> تولید می کند.

همه ی وضعیتهای آنها را هم می توان بدون تراز اتوماتیک انتخاب نمود.

## کاربری

ابزار اندازه گیری جهت بدست آوردن و کنترل خطهای افقی و عمودی و نیز نمایش خطهای شیب دار در نظر گرفته شده است.

### نحوه کار با تراز اتوماتیک

ابزار اندازه گیری را روی یک سطح افقی و سفت قرار دهید یا آن را روی سه پایه **14** یا روی نگهدارنده ی ارسالی محکم کنید. جهت کار با تراز اتوماتیک، کلید تراز اتوماتیک **2** را به حالت  برانید. نمایشگر تراز اتوماتیک **6** به رنگ سبز روشن می شود (علامت  / «green»).

چنانچه تراز اتوماتیک ممکن نیست، مثلاً به علت عدم تطابق کف ابزار اندازه گیری به مقدار  $4^{\circ}$  با سطح افقی، خطوط لیزر با فاصله ی کم از هم چشمک می زنند **6**.



## نحوه کاربرد دستگاه

### نحوه کاربرد دستگاه

◀ ابزار اندازه گیری را در برابر رطوبت و تابش مستقیم نور خورشید محفوظ بدارید.

◀ ابزار اندازه گیری را در معرض دمای حاد (گرمای و سرمای شدید) و همچنین تغییر درجه حرارت شدید قرار ندهید. ابزار اندازه گیری را بطور مثال برای مدت طولانی در داخل خودرو قرار ندهید. در صورت نوسان شدید دما، نخست بگذارید ابزار اندازه گیری خود را با دمای محیط وفق بدهد، پیش از اینکه آنرا مورد استفاده قرار بدهید. دمای حاد (گرمای و سرمای شدید) و یا نوسان شدید دما می تواند در دقت اندازه گیری تأثیر منفی بگذارد.

◀ از ابزار اندازه گیری در برابر ضربه محافظت کنید و از به زمین افتادن آن جلوگیری بعمل آورید. در صورت ایجاد عوامل تأثیر گذارنده خارجی بر روی ابزار اندازه گیری، بهتر است همواره پیش از ادامه کار، دقت عمل ابزار اندازه گیری را کنترل کنید (رجوع شود به مبحث «دقت تراز کردن»).

◀ کلید تراز اتوماتیک 2 را هنگام حمل و نقل در حالت 0 قرار دهید. اینگونه واحد پاندولی قفل می شود، تا برابر تکانهای شدید آسیب نبیند.



### نحوه روشن و خاموش کردن

جهت روشن کردن ابزار اندازه گیری دکمه ی خاموش/روشن 5 را فشار دهید. ابزار اندازه گیری پس از روشن شدن فوراً یک پرتوی لیزر از سوراخ خروجی 1 ارسال می کند.

◀ جهت پرتو لیزر را به طرف اشخاص و یا حیوانات نگیرید و خودتان هم مستقیماً به پرتو لیزر نگاه نکنید، حتی از فاصله دور.

جهت خاموش کردن ابزار اندازه گیری، دکمه ی خاموش-روشن 5 را آنقدر فشار دهید تا نمایشگر تراز اتوماتیک 6 محو شود. کلید تراز اتوماتیک 2 را به حالت 0 برانید تا واحد پاندولی را قفل کنید.

◀ ابزار اندازه گیری را در حالت روشن بدون نظارت در جایی قرار ندهید و پس از استفاده از ابزار اندازه گیری، آنرا خاموش کنید. امکان آسیب دیدن چشم اشخاص دیگر وجود دارد.





## 115 | فارسی

لیزر خطی (مقاطع)	
GLL 2	قطر تقریبی پرتو لیزر <sup>2)</sup> (در دمای 25 °C درجه سانتی گراد)
2 mm	- در فاصله 3 متری
3 mm	- در فاصله 5 متری
0,5 mrad (زاویه کامل)	انحراف خط لیزر
1/4"	(رزوه) محل اتصال سه پایه
2 x 1,5 V LR6 (AA)	باتری ها
15 h	مدت زمان تقریبی کارکرد باتری
0,28 kg	وزن مطابق استاندارد EPTA-Procedure 01:2014
77 x 63 x 84 mm	اندازه (طول x عرض x ارتفاع)

- 1) محدوده کاری (اندازه گیری) ممکن است تحت شرایط نامناسب محیطی (از جمله تحت تابش مستقیم نور خورشید) کاهش پیدا کند.
- 2) عرض خط لیزر بسته به جنس سطح و شرایط محیط متفاوت می باشد. برای مشخص کردن دقیق مدل ابزار اندازه گیری، شماره سری **12** بر روی برچسب دستگاه (پلاک مدل) درج شده است.

## نصب

### نمونه قرار دادن/تعویض باتری

برای کار با ابزار اندازه گیری استفاده از باتری های قلیائی منگنز یا آلکالاین (alkali-manganese) توصیه می شود.

جهت باز کردن درپوش محفظه باتری **4** کلید قفل **3** را فشار دهید و آن را بردارید. باتری ها را را قرار دهید. در حین کار به قطبگذاری صحیح بر اساس علامت مندرج در محفظه ی درونی باتری توجه کنید. همواره باتری ها را همزمان تعویض کنید. منحصراً از باتری های ساخت یک سازنده و با ظرفیت های برابر استفاده کنید.

### ⚠ چنانچه برای مدت زمان طولانی از ابزار اندازه گیری استفاده

نمی کنید، باتری ها را از داخل دستگاه خارج کنید. باتری ها ممکن است در صورت انبار کردن طولانی مدت دچار فرسودگی و زنگ زدگی شده و خود به خود تخلیه بشوند.



## فارسی | 116

- 6 نشان دهنده تراز اتوماتیک  
 7 1/4" پیچ برای نگهدارنده  
 8 پیچ تثبیت گیره (تجهیزات) مهار  
 9 پیچ اتصال گیره مهار (به دستگاه)  
 10 گیره یا تجهیزات مهار  
 11 رزوه 1/4" اینچ برای اتصال سه پایه (به دستگاه)  
 12 شماره فنی/شماره سری  
 13 برچسب هشدار پرتو لیزر  
 14 سه پایه\*  
 15 عینک مخصوص دید پرتو لیزر\*  
 \* کلیه متعلقاتی که در تصویر و یا در متن آمده است، بطور معمول همراه دستگاه ارائه نمی شود.

## مشخصات فنی

GLL 2	لیزر خطی (مقاطع)
3 601 K63 A01	شماره فنی
10 m	محدوده کاری تا تقریباً <sup>(1)</sup>
± 0,5 mm/m	دقت تراز کردن
± 4°	محدوده تراز شونده خودکار (در خصوص این نوع دستگاه)
≤ 6 s	زمان تراز شدن (در خصوص این نوع دستگاه)
+ 5 °C ... + 40 °C	دمای کاری
-20 °C ... + 70 °C	دمای نگهداری در انبار
90 %	حداکثر رطوبت نسبی هوا
2	کلاس لیزر
650 nm, < 1 mW	مشخصات پرتو لیزر

(1) محدوده کاری (اندازه گیری) ممکن است تحت شرایط نامناسب محیطی (از جمله تحت تابش مستقیم نور خورشید) کاهش پیدا کند.  
 (2) عرض خط لیزر بسته به جنس سطح و شرایط محیط متفاوت می باشد.  
 برای مشخص کردن دقیق مدل ابزار اندازه گیری، شماره سری 12 بر روی برچسب دستگاه (پلاک مدل) درج شده است.



- ◀ از عینک مخصوص دید پرتو لیزر بعنوان عینک ایمنی استفاده نکنید. عینک مخصوص دید پرتو لیزر برای تشخیص بهتر پرتو لیزر است ولیکن نمی تواند از چشم شما در برابر پرتو لیزر محافظت کند.
- ◀ از عینک مخصوص دید پرتو لیزر بعنوان عینک آفتابی و یا هنگام رانندگی استفاده نکنید. عینک مخصوص دید پرتو لیزر محافظت و ایمنی کامل را در برابر تشعشعات ماورای بنفش ارائه نمی دهد و قدرت درجه تشخیص رنگ را نیز کاهش می دهد.
- ◀ تعمیر این ابزار اندازه گیری باید منحصراً توسط افراد متخصص و فقط تحت استفاده از قطعات اصل انجام بگیرد. به این ترتیب ایمنی ابزار اندازه گیری تضمین می شود.
- ◀ اجازه ندهید که اطفال بدون نظارت ابزار اندازه گیری لیزری را مورد استفاده قرار بدهند. زیرا خطر تابش ناخواسته اشعه به چشم دیگران و آسیب دیدن بینائی آنها وجود دارد.
- ◀ ابزار اندازه گیری را در محیط و اماکنی که در آن خطر انفجار وجود داشته و یا در آن اماکن، مایعات قابل احتراق، گازها و یا گرد و غبار موجود باشد، مورد استفاده قرار ندهید. امکان تولید جرقه هایی توسط ابزار اندازه گیری وجود دارد که می تواند منجر به اشتعال گرد و غبار و یا بخارهای موجود در هوا بشود.

## تشریح دستگاه و عملکرد آن

### موارد استفاده از دستگاه

این ابزار اندازه گیری برای محاسبه، کنترل و مشخص کردن خطوط افقی و خطوط عمودی در نظر گرفته شده است.  
ابزار برقی را باید منحصراً در جاهای سر بسته بکار برد.

### اجزاء دستگاه

شماره های اجزاء دستگاه که در تصویر مشاهده میشود، مربوط به شرح ابزار اندازه گیری می باشد که تصویر آن در این دفترچه راهنما آمده است.

- 1 منفذ (دهانه) خروج پرتو لیزر
- 2 کلید تراز اتوماتیک/قفل واحد پاندولی
- 3 قفل کننده درپوش محفظه باتری
- 4 درپوش محفظه باتری
- 5 دکمه ی خاموش-روشن/دکمه ی وضعیت

## فارسی

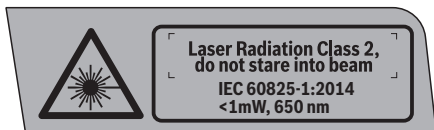
### راهنمائی های ایمنی

جهت کار کردن بی خطر و ایمن با ابزار اندازه گیری به تمام راهنماییها توجه کنید. در صورتی که ابزار اندازه گیری طبق دستورات زیر بکار برده نشود، ممکن است تجهیزات حفاظتی موجود در ابزار آسیب ببینند. برچسب های هشدار بر روی ابزار برقی را هرگز نپوشانید. این راهنماییها را خوب نگهدارید و آن را هنگام دادن ابزار اندازه گیری فراموش نکنید.



◀ احتیاط - چنانچه دستورالعمل و نحوه بکارگیری دیگری غیر از این دستورالعمل مورد استفاده قرار بگیرد و یا تجهیزات دیگری برای تنظیم و تراز کردن مورد استفاده قرار بگیرد و یا روش کار دیگری به اجراء درآید، خطرانی در رابطه با پرتو لیزر وجود خواهد داشت.

◀ ابزار اندازه گیری با یک برچسب هشدار ارسال می شود (در تصویر ابزار اندازه گیری روی صفحه تا شو با شماره 13 مشخص شده است).



◀ برچسب هشدار را قبل از راه اندازی اولیه با برچسب ارسالی زبان کشور خود جایگزین کنید.

جهت پرتو لیزر نباید به طرف افراد و یا حیوانات باشد و خودتان هم مستقیماً به پرتو لیزر نگاه نکنید. اینگونه ممکن است منجر به خیره شدگی افراد، بروز سانحه یا آسیب دیدگی چشم گردد.



◀ در صورت برخورد پرتوی لیزر به چشم، چشمها را فوراً ببندید و سر را از محدوده ی پرتوی لیزر خارج کنید.  
 ◀ هیچ گونه تغییری در تنظیمات لیزر انجام ندهید.