

**НП-150/18Л3**

**F52246**

**RU АККУМУЛЯТОРНАЯ САБЕЛЬНАЯ ПИЛА**  
**EN CORDLESS SABRE SAW**



**FELISATTI®**

## Technical Specification

<b>Model:</b>	<b>P52246</b>
<b>Rated Voltage:</b>	<b>DC-18V</b>
<b>No-load Speed:</b>	<b>0-3000 SPM</b>
<b>Stroke Length:</b>	<b>1-1/8"</b>
<b>Max. cutting depth:</b>	<b>6"</b>

### NOTE:

- Due to our continuing program of research and development, the specifications herein are subject to change without notice.
- Specifications and battery cartridge may differ from country to country.

## General Power Tool Safety Warnings



**WARNING:** Read all safety warnings and all instructions. Failure to follow the warnings and instructions may result in electric shock, fire, and/or serious injury.

**Save all warnings and instructions for future reference.** The term "power tool" in the warnings refers to your main-operated (corded) power tool or battery-operated (cordless) power tool.

## Work Area Safety

1. Keep work area clean and well lit. Cluttered or dark areas invite accidents.
2. Do not operate power tools in explosive atmospheres, such as in the presence of flammable liquids, gases, or dust. Power tools create sparks, which may ignite the dust or fumes.
3. Keep children and bystanders away while operating a power tool. Distractions can cause you to lose control.

## Electrical Safety

1. Power tool plugs must match the outlet. Never modify the plug in any way. Do not use any adapter plugs with earthed (grounded) power tools. Unmodified plugs and matching outlets will reduce risk of electric shock.
2. Avoid body contact with earthed or grounded surfaces, such as pipes, radiators, ranges and refrigerators. There is an increased risk of electric shock if your body is earthed or grounded.
3. Do not expose power tools to rain or wet conditions. Water entering a power tool will increase the risk of electric shock.
4. Do not abuse the cord. Never use the cord for carrying, pulling, or unplugging the power tool. Keep the cord away from heat, oil, sharp edges, or moving parts. Damaged or entangled cords increase the risk of electric shock.
5. When operating a power tool outdoors, use an extension cord suitable for outdoor use. Use of a cord suitable for outdoor use reduces the risk of electric shock.
6. If operating a power tool in a damp location is unavoidable, use a ground fault circuit interrupter (GFCI) protected supply. Use of a GFCI reduces the risk of electric shock.

## PERSONAL SAFETY

1. Stay alert, watch what you are doing and use common sense when operating a power tool. Do not use a power tool while you are tired or under the influence of drugs, alcohol, or medication. A moment of inattention while operating power tools may result in serious personal injury.
2. Use personal protective equipment. Always wear eye protection. Protective equipment such as a dust mask, non-skid safety shoes, hard hat or hearing protection used for appropriate conditions will reduce personal injuries.
3. Prevent unintentional starting. Ensure the switch is in the off-position before connecting to the power source and/or battery pack, picking up or carrying the tool. Carrying power tools with your finger on the switch or energizing power tools that have the switch on invites accidents.
4. Remove any adjusting key or wrench before turning the power tool on. A wrench or a key left attached to a rotating part of the power tool may result in personal injury.
5. Do not overreach. Keep proper footing and balance at all times. This enables better control of the power tool in unexpected situations.
6. Dress properly. Do not wear loose clothing or jewelry. Keep your hair, clothing, and gloves away from moving parts. Loose clothes, jewelry or long hair can be caught in moving parts.
7. If devices are provided for the connection of dust extraction and collection facilities, ensure these are connected and properly used. Use of dust collection can reduce dust-related hazards.

## POWER TOOL USE AND CARE

1. Do not force the power tool. Use the correct power tool for your application. The correct power tool will do the job better and safer at the rate for which it was designed.
2. Do not use the power tool if the switch does not turn it on and off. Any power tool that cannot be controlled with the switch is dangerous and must be repaired.
3. Disconnect the plug from the power source and/or the battery pack from the power tool before making any adjustments, changing accessories, or storing power tools. Such preventive safety measures reduce the risk of starting the power tool accidentally.
4. Store idle power tools out of the reach of children and do not allow persons unfamiliar with the power tool or these instructions to operate the power tool. Power tools are dangerous in the hands of untrained users.
5. Maintain power tools. Check for misalignment or binding of moving parts, breakage of parts and any other condition that may affect the power tool's operation. If damaged, have the power tool repaired before use. Many accidents are caused by poorly maintained power tools.
6. Keep cutting tools sharp and clean. Properly maintained cutting tools with sharp cutting edges are less likely to bind and are easier to control.
7. Use the power tool, accessories, and tool bits etc. in accordance with these instructions, taking into account the working conditions and the work to be performed. Use of the power tool for operations different from those intended could result in a hazardous situation.

## BATTERY USE AND CARE

1. Recharge only with the charger specified by the manufacturer. A charger that is suitable for one type of battery pack may create a risk of fire when used with another battery pack.
2. Use power tools only with specifically designated battery packs. Use of any other battery packs may create a risk of injury and fire.
3. When battery pack is not in use, keep it away from other metal objects, like paper clips, coins, keys, nails, screws or other small metal objects, that can make a connection from one terminal to another.

Shorting the battery terminals together may cause burns or a fire.

4. Under abusive conditions, liquid may be ejected from the battery; avoid contact. If contact accidentally occurs, flush with water. If liquid contacts eyes, additionally seek medical help. Liquid ejected from the battery may cause irritation or burns.
5. Do not use a battery pack or tool that is damaged or modified. Damaged or modified batteries may exhibit unpredictable behavior resulting in fire, explosion or risk of injury.
6. Do not expose a battery pack or tool to fire or excessive temperature. Exposure to fire or temperature above 130 °C may cause explosion.
7. Follow all charging instructions and do not charge the battery pack or tool outside the temperature range specified in the instructions. Charging improperly or at temperatures outside the specified range may damage the battery and increase the risk of fire.

## Important Safety Instructions for Battery Cartridge

1. Before using battery cartridge, read all instructions and cautionary markings on (1) battery charger, (2) battery, and (3) product using battery.
2. Do not disassemble battery cartridge.
3. If operating time has become excessively shorter, stop operating immediately. It may result in a risk of overheating, possible burns and even an explosion.
4. If electrolyte gets into your eyes, rinse them out with clear water and seek medical attention right away. It may result in loss of your eyesight.
5. Do not short the battery cartridge:
  - (1) Do not touch the terminals with any conductive material.
  - (2) Avoid storing battery cartridge in a container with other metal objects such as nails, coins, etc.
  - (3) Do not expose battery cartridge to water or rain. A battery short can cause a large current flow, overheating, possible burns and even a breakdown.
6. Do not store the tool and battery cartridge in locations where the temperature may reach or exceed 50 °C (122 °F).
7. Do not incinerate the battery cartridge even if it is severely damaged or is completely worn out. The battery cartridge can explode in a fire.
8. Be careful not to drop or strike battery.
9. Do not use a damaged battery.
10. The contained lithium-ion batteries are subject to the Dangerous Goods Legislation requirements. For commercial transports e.g. by third parties, forwarding agents, special requirement on packaging and labeling must be observed. For preparation of the item being shipped, consulting an expert for hazardous material is required. Please also observe possibly more detailed national regulations. Tape or mask off open contacts and pack up the battery in such a manner that it cannot move around in the packaging.
11. Follow your local regulations relating to disposal of battery.



**WARNING:** Burn hazard. Battery liquid may be flammable if exposed to spark or flame.

## Battery Protection System

The tool will automatically stop during operation if the tool and/or battery are placed under one of the following conditions:

- Overloaded
- Low battery voltage

- The tool is operated in a manner that causes it to draw an abnormally high current:

In these situations, release the switch trigger on the tool and stop the application that caused the tool to become overloaded. Then pull the switch trigger again to restart.

If the tool does not start, the battery may be overheated. In this situation, let the battery cool before pulling the switch trigger again.

If the battery capacity is too low and the tool will not operate, remove and recharge the battery.

## Brushless Reciprocating Saw Safety Warnings

1. Hold the power tool by the insulated gripping surfaces when performing an operation where the cutting accessory may contact hidden wiring or its own cord. The cutting accessory contacting a "live" wire may make exposed metal parts of the power tool "live" and shock the operator.
2. Keep hands away from the sawing area. Do not grip under the workpiece. Risk of injury if contact is made with the saw blade!
3. Make sure the cutting support always rests on the workpiece when sawing. The saw blade may snag, causing the operator to lose control of the power tool.
4. After completing the cutting operation, switch off the power tool and withdraw the saw blade from the cut only after the blade has come to a complete stop. In this way, you will avoid any kickback and you can now safely put the power tool down.
5. Use only undamaged saw blades that are in perfect condition. Bent or blunt saw blades may break or cause a kickback.
6. After switching off, do not attempt to slow or stop the saw blade by applying lateral counter pressure. The saw blade may incur damage, break or cause a kickback.
7. Clamp the material so that it is firmly secured. Do not support the workpiece with your hand or foot. Do not touch any objects or the ground with the saw while it is running. Risk of kickback!
8. Use suitable detectors to detect concealed power supply cables or consult your local supply company. Contact with electric cables may result in a fire and/or electric shock. A damaged gas pipe may cause an explosion. Cutting into a water pipe will cause damage to property or may cause an electric shock.
9. When working, hold the power tool firmly with both hands and ensure that you have a secure footing. The power tool is controlled more securely if held with both hands.
10. Keep the workplace clean. Material mixtures are especially dangerous. Light metal dust may burn or explode.

### Save These Instruction

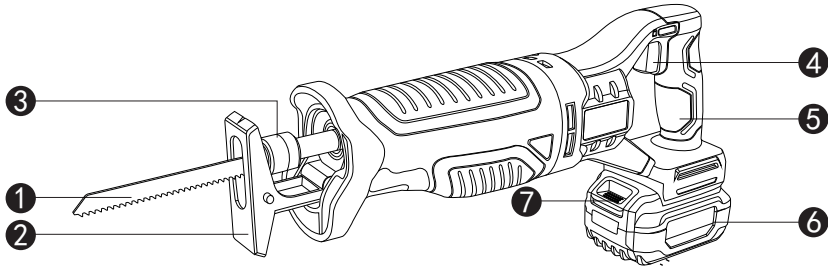


**WARNING:** DO NOT let comfort or familiarity with product (gained from repeated use) replace strict adherence to safety rules for the subject product. Misuse or failure to follow the safety rules stated in this instruction manual may cause serious personal injury.

### Symbols

V	Volts
	Direct Current
$n_0$	No load speed
.../min	Revolutions or reciprocation strokes per minute
	Number of blows

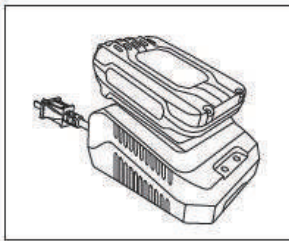
## Function Description



Product Features

1	Saw Blade	5	Soft Grip
2	Base Plate	6	Battery
3	Quick-release Blade Clamp	7	Battery Unlocking Button
4	Variable-speed Trigger		

## Charging Battery



**WARNING:** Use this charger ONLY to charge the supplied battery or additional purchased batteries that are specifically designed for this tool.

### Charging the Battery



**WARNING:** Failure to follow the correct procedure when charging batteries will result in permanent damage.

1. Plug the charger to a 220V~/50Hz power source. The Red LED will light up.
2. Align the raised ribs of the battery pack with the slot in the charger and slide a fully or partially discharged battery onto the battery charger.

**NOTE:** Make sure the battery and battery charger are lined up correctly. If the battery does not slide onto the battery charger easily, don't force it. Instead, remove the battery, check that the top of battery and the battery charger slot are clean and undamaged and that the contacts are not bent.

3. A flashing green light and a steady red light indicate the battery is charging.

4. Both steady green and red lights indicate the battery is fully charged.

**NOTE:** Pressing the button on the Battery will indicate the charge level. The right LED indicates a high charge level and the left a low charge level that indicates the battery pack will require charging soon.

**IMPORTANT:** When a low charge level is indicated, the tool may stop operating while in use, which is dangerous. Always ensure the battery pack has a good charge level.

**NOTE:** Remove the battery from the battery charger when the battery is fully charged or when the charger is disconnected from the supply.

The battery will not accept a charge if the battery temperature is too high. In that case, the Red light flashes until the battery cools down to normal temperature.

The battery will not accept a charge if the battery is damaged. In that case, Both the Red and Green LED will flash. It indicates that the battery is bad and needs to be replaced.

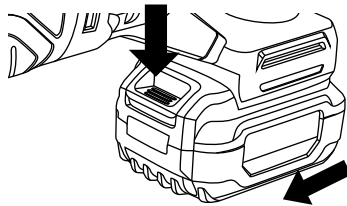
## Assembly



**WARNING:** Always be sure that the tool is switched off and the battery cartridge is removed prior to any service work on the power tool.

## Installing or Removing Battery

**CAUTION:** Always switch off the tool before installing or removing the battery. Hold the tool and the battery firmly when installing or removing the battery cartridge. Failure to hold the tool and the battery cartridge firmly may cause them to slip out of your hands and may result in damage to the tool and battery cartridge and cause personal injury.



To remove the battery cartridge, slide it from the tool while pressing the button on the front of the cartridge.

To install the battery cartridge, align the tongue on the battery cartridge with the groove in the housing and slip it into place. Insert it all the way until it locks in place with an audible click.

**CAUTION:** Do not install the battery cartridge forcibly. If the cartridge does not slide in easily, it is not being inserted correctly.

## Overloaded

The tool is operated in a manner that causes it to draw an abnormally high current. In this situation, turn the tool off and stop the application that caused the tool to become overloaded. Then turn the tool on to restart. If the tool does not start, the battery is overheated. In this situation, let the battery cool before turning the tool on again.

## Low Battery Voltage

The remaining battery capacity is too low and you will need to remove and recharge the battery.

## Indicating the Remaining Battery Capacity

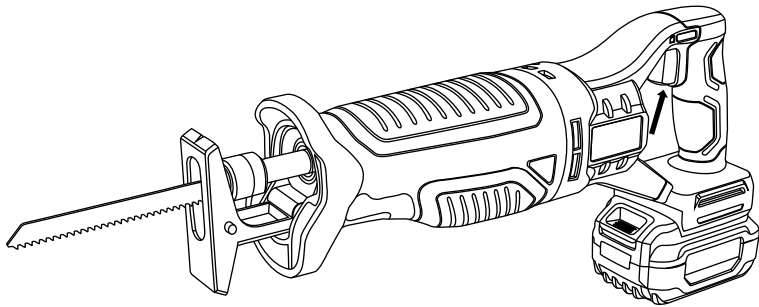
Press the check button on the battery cartridge to indicate the remaining battery capacity. The indicator lamps light up for a few seconds.

**NOTE:** Depending on the conditions of use and the ambient temperature, the indication may differ slightly from the actual capacity.

## Operation

### Switch Action

**CAUTION:** Before installing the battery cartridge into the tool, always check to see that the switch trigger actuates properly and returns to the "OFF" position when released.



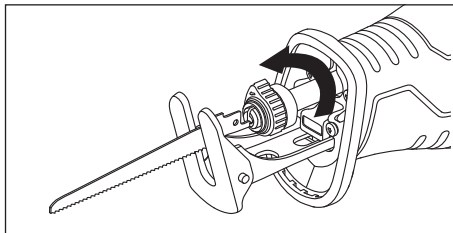
To start the tool, simply pull the switch trigger. Tool speed is increased by increasing pressure on the switch trigger. Release the switch trigger to stop.



## Inserting The Saw Blades

**CAUTION!** Used cutting accessories may be come hot. Wear protective gloves! Select a saw .Used cutting accessories may be come hot. Wear protective gloves! Select a saw.

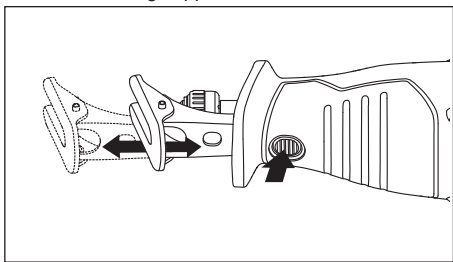
1. Open the tool holder lock and press down.
2. Insert the saw blade into the tool holder and push in as far as it will go.
3. Close the tool holder lock.



## Adjusting The Cutting Support

**⚠ WARNING!** Remove the battery before making any adjustments on the power tool. The cutting support should always rest on the material when sawing so as to avoid excessive vibrations.

1. Press the cutting support lock down.
2. Adjust the cutting support to the required depth.
3. Release cutting support lock.



## General Operation

**⚠ WARNING!** Always hold the power tool firmly with two hands. Whenever possible, clamp the workpiece to be cut in a vice. This gives the saw a cutting support. This also helps to reduce vibration. After the Reciprocating Saw has been switched off, the saw blade continues to run briefly. Never touch the saw blade straight after use as it may be very hot.

### Cutting Metal

When sawing metal, use lubricant along the cutting line. This prevents the material from overheating.

### Cutting Wood

Place the saw square on the workpiece. Guide the saw with uniform pressure through the wood, pressing the cutting support against the workpiece in the process.

### Cutting Directly At the Wall

Thanks to the elasticity of bi-metal saw blades it is possible to cut pipes flush with wall. To do so, use a saw blade of sufficient length that exceeds the diameter of the pipe. Position the point of blade tip to be outside the workpiece to be cut.

### Plunge Cuts

The saw is suitable for plunge cuts in wood and plastic. Use only short saw blades (<150mm) to perform plunge cuts!

Switch on orbital stroke to perform plunge cuts. Place the saw on the workpiece with the bottom edge of the cutting support in such a way that the saw blade does not touch the workpiece.

Switch on the saw and press the cutting support firmly against the work piece and swing the saw forwards. Slowly plunge the saw blade into the workpiece. When the cutting support is resting fully on the workpiece, continue cutting along the desired cutting line.

**NOTE:** Do not perform plunge cuts in metal.

## Maintenance and Cleaning

**NOTICE:** Never use gasoline, benzine, thinner, alcohol, or the like. Discoloration, deformation or cracks may result.

To maintain product SAFETY and RELIABILITY, repairs, any other maintenance or adjustment should be performed by professional persons. Always use correct replacement parts.

Before any work on the machine itself (e. g. maintenance, tool change, etc.) as well as, during transport and storage, remove the battery from the power tool. There is danger of injury when unintentionally actuating the On/Off switch.

For safe and proper working, always keep the machine and ventilation slots clean.

### Battery packs/ batteries

Protect the battery against moisture and water.

Store the battery only within a temperature range between 32° F and 110° F (0° C and 50° C). As an example, do not leave the battery in a hot car in summer.

Occasionally clean the venting slots of the battery using a soft, clean, and dry brush.

Please observe the instructions in section "Transport" and the notes for disposal.

### Tips for Maintaining Maximum Battery Life

1. Charge the battery cartridge before it is completely discharged. Always stop tool operation and charge the battery cartridge when you notice less tool power.
2. Never recharge a fully charged battery cartridge. Overcharging shortens the battery service life.
3. Charge the battery cartridge with room temperature at 50° F - 104° F (10° C - 40° C). Let a hot battery cartridge cool down before charging it.
4. Charge the battery cartridge if you do not use it for a long period (more than six months).

## Service

1. Have your power tool serviced by a qualified repair person using only identical replacement parts. This will ensure that the safety of the power tool is maintained.
2. Follow instruction for lubricating and changing accessories.
3. Keep handles dry, clean , and free from oil and grease.

## Transport

The contained lithium-ion batteries are subject to the Dangerous Goods Legislation requirements. The user can transport the batteries by road without further requirements.

When being transported by third parties (e. g.: air transport or forwarding agency), special requirements on packaging and label must be observed. For preparation of the item being shipped, consulting an expert for hazardous material is required.

Dispatch batteries only when the housing is undamaged. Tape or mask off open contacts and pack up the battery in such a manner that it cannot move around in the packaging. Please also observe possibly more detailed national regulations.

## Disposal



The machine, rechargeable batteries, accessories and packaging should be sorted for environmental-friendly recycling. Do not dispose of power tools and batteries/rechargeable batteries into household waste!

WELEE (SHANGHAI) INDUSTRY CO., LTD.  
Rm.475, No.227 Rushan Road, Pudong District, Shanghai, China  
info@felisatti.pro  
www.felisatti.com